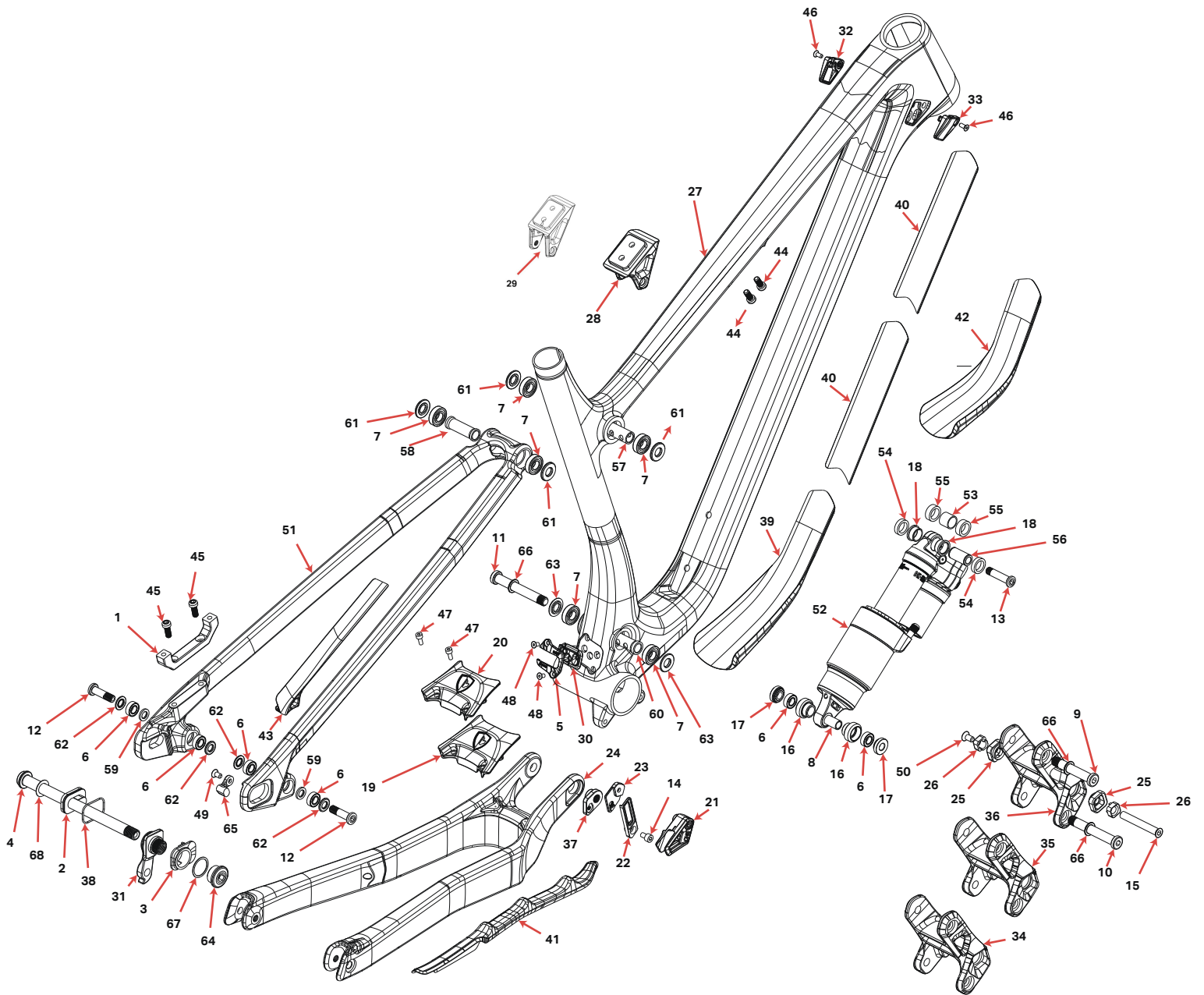


MY21

Altitude / Instinct Carbon



Parts Kits and Price List are subject to change without notice.
A \$10 handling fee will be charged for order less than \$50.

2021 Altitude / Instinct Carbon			
#	QTY	PART NO.	DESCRIPTION
		1811023	2021 INSTINCT LINK 27.5" (XS, S), 29" (S)
34	1	1091007	2021 INSTINCT LINK 27.5" (XS, S), 29" (S)
		1811024	2021 ALTITUDE LINK 27.5" (S, M)
35	1	1091006	2021 ALTITUDE LINK 27.5"(S, M)
		1811025	2021 ALTITUDE/INSTINCT LINK 29" (M, L, XL)
36	1	1091001	2021 ALTITUDE/INSTINCT LINK 29" (M, L, XL)
		1811003	2021 HANGER KIT
31	1	1091004	REAR DER. HANGER, EXT THREAD, UDH COMPATIBLE
64	1	1801008	HANGER/AXLE NUT FOR UDH COMPATIBLE HANGER
67	1	1801009	WASHER, 20X24X0.5MM, 304 SS
		1811004	PIVOT BOLT KIT ALT_INST 2021
9	1	1800011	LINK BOLT, UPPER, M10X1.0, L:58.5, 6MM HEX
10	1	1801004	LINK BOLT, LOWER, M10X1.0, L:70.5, 6MM HEX
66	3	1800019	WASHER ID: 10.2, OD: 15.5, T: 1
60	1	1801006	MAIN PIVOT BEARING SLEEVE, OD:15, ID:10, T:39, 6061 ALU
63	2	1800047	MP BEARING SPACER, OD:22, ID:10, T:2.65
11	1	1801005	MP BOLT, M10X1.25, L:75, 6MM HEX
37	1	1801001	MAIN PIVOTCHIP
57	1	1800008	TT BEARING SLEEVE, ID:10, OD:14, L:29
61	4	1800009	LINK BEARING SPACER, OD:22, ID:10, T:2.5
58	1	1800010	SS BEARING SLEEVE, ID:10, OD:14, L:41, NECKED
12	2	1801007	DROPOUT BOLT, M8X1.0, L:30, 6MM HEX
62	4	1800039	DO BEARING SPACER, OD:16, ID:8, T:1.5, 6061 ALU
59	2	1800040	DROPOUT BEARING SLEEVE, OD:14, ID:8, T:1.8, 6061 ALU

1811005	PIVOT BEARING KIT ALT_INST 2021
----------------	--

7	6	1807042	ENDURO BEARING 6900 2RS MAX TYPE, 22X10X6 SIZE
6	4	1801010	ENDURO 688 LLU MAX 16X8X5

1811006	SHOCK BOLT KIT ALT_INST 2021
----------------	-------------------------------------

13	1	1801018	SHOCK BOLT, M8X1.0, L:34.5, 5MMHEX
15	1	1807049	CSUNK BOLT, 8MM X 57MM X M6 INT.
50	1	180566-012	FLAT HEAD C'SUNK SOCKET SCREW, M6-1.0 X 12mm, Stainless black

1811007	SHOCK BEARING EYELET KIT 2021
----------------	--------------------------------------

17	2	1800032	EYELET BEARING SPACER, T:6.3, FOR 40 MM LINK WIDTH
6	2	1801010	ENDURO 688 LLU MAX 16X8X5
8	1	1807028	BEARING EYELET CENTRE SLEEVE
16	2	1800031	BEARING EYELET FOR 16X8X5 BRG

1811008	CHAIN GUIDE KIT ALT_INST 2021
----------------	--------------------------------------

14	1	1801019	SOCKET HEAD CAP SCREW; M5X8, BLUE LOCTITE
21	1	3391004	ONEUP CHAINGUIDE ASSEMBLY (1C0686)
22	1	3391001	BASE PART OF CHAINGUIDE
23	1	3391002	SLIDING PART OF CHAINGUIDE

1811009	BIKE PROTECTION ALT_INST 2021 FOR 29" & LG/XL 27.5"
----------------	--

41	1	3701003	CHAINSTAY PROTECTOR
43	1	3701001	SEATSTAY PROTECTOR
39	1	370001	DOWNTUBE PROTECTOR
40	2	370002	TAILGATE PROTECTOR

1811010	BIKE PROTECTION ALT_INST 2021 FOR XS/S/M 27.5"
----------------	---

41	1	3701003	CHAINSTAY PROTECTOR
43	1	3701001	SEATSTAY PROTECTOR
40	2	370002	TAILGATE PROTECTOR
42	1	3701005	DOWNTUBE PROTECTOR XS, S, M (27.5")

1817011	AXLE KIT BOOST
----------------	-----------------------

4	1	3227009	REAR AXLE 12X 173MM, HARD BLACK ANO
68	1	3227006	WASHER, 12x19x0.5MM, 304 SS

1811011	AXLE FLIP CHIP KIT
----------------	---------------------------

2	1	3221001	AXLE FLIP CHIP, LEFT
3	1	3221002	AXLE FLIP CHIP, RIGHT
38	1	1805081	O-RING, ID 24.5MM, W:1.50. NITRILE.

1811012	UDH STOPPER KIT
----------------	------------------------

65	1	1801003	UDH STOPPER
49	1	1808152OVT	CSUNK SOCKET SCREW, M5-0.8x10MM. BLACK STAINLESS STEEL

1811013	BRAKE ADAPTER KIT FOR 2 POSITION AXLE
----------------	--

1	1	1801022	BRAKE ADAPTER
45	2	1801023	M6-1.0, 22MM LONG, SOCKET HEAD

1811014	INSTINCT FWD SHOCK YOKE KIT
----------------	------------------------------------

29	1	1091003	INSTINCT FWD SHOCK YOKE
44	2	1801014	M6-1.0, 14MM LONG, SOCKET HEAD

1811015	ALTITUDE FWD SHOCK YOKE KIT
----------------	------------------------------------

28	1	1091002	ALTITUDE FWD SHOCK YOKE
44	2	1801014	M6-1.0, 14MM LONG, SOCKET HEAD

1810022	HEAD TUBE PANEL KIT 2020
----------------	---------------------------------

32	1	1800004	HT PLASTIC PORT COVER, M4, LEFT
33	1	1800003	HT PLASTIC PORT COVER, M4, RIGHT
46	2	1800024-BK	CSUNK SOCKET SCREW, M4x10mm, stainless black

1811016	BB CABLE PORT KIT ALT_INST 2021
----------------	--

5	1	1800001	SLAYER BB PLASTIC PORT COVER
30	1	1800002	SLAYER BB PORT GROMMET, 85A
48	2	1807068-BK	C'SUNK SOCKET SCREW, M4x8mm, stainless black

1810009	RIDE-9 FLIP CHIP KIT
----------------	-----------------------------

25	2	1807003	FLIP CHIP, OUTSIDE, AL7075, BLACK ANODIZE.
26	2	1807004	FLIP CHIP, INSIDE, AL7075, BLACK ANODIZE.

1811017	CANADIAN SHIELD 29 KIT ALT_INST 2021
----------------	---

19	1	1091005	29" CHAINSTAY YOKE COVER
47	2	1801013	SOCKET HEAD CAP SCREW; M4X10

1811018	CANADIAN SHIELD 27.5 KIT ALT_INST 2021
----------------	---

20	1	1991006	27.5" CHAINSTAY YOKE COVER
47	2	0	SOCKET HEAD CAP SCREW; M4X10