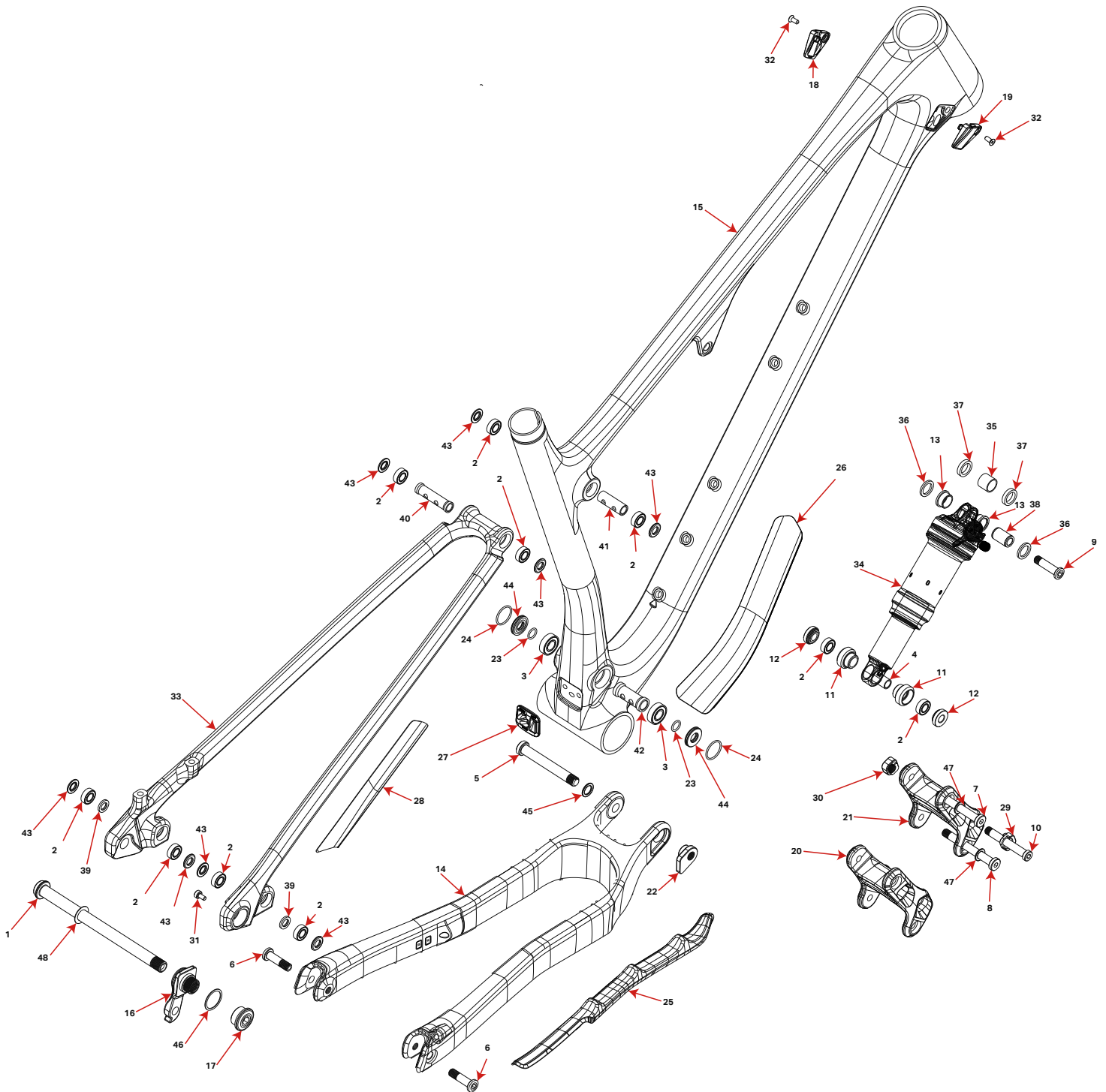


MY22

# Element carbon



## 2022 Element Carbon

#	QTY	PART NO.	DESCRIPTION
		<b>1812001</b>	<b>2022 ELEMENT LINK 27.5" (XS)</b>
20		1092001	2022 ELEMENT LINK 27.5" (XS)
		<b>1812011</b>	<b>2022 ELEMENT LINK 29" (S,M, L, XL)</b>
21		1092002	2022 ELEMENT LINK 29" (S,M, L, XL)
		<b>1812002</b>	<b>2022 HANGER KIT 12 x1.0</b>
16	1	1092003	REARDER. HANGER, M12X1, UDH COMPATIBLE
17	1	1801008	HANGER/AXLE NUT FOR UDH COMPATIBLE HANGER
46	1	1801009	WASHER, 20X24X0.5MM, 304 SS
		<b>1812003</b>	<b>PIVOT BOLT KIT ELEMENT 2022</b>
40	1	1802002	SS BEARING SLEEVE. ID: 8, OD: 11.5, L: 44
41	1	1802003	TT BEARING SLEEVE. ID: 8, OD: 11.5, L: 32.4
42	1	1802014	MAIN PIVOT BEARING SLEEVE, OD:15, ID:10, T:37
43	8	1800039	DO BEARING SPACER, OD:16, ID:8, T:1.5, 6061 ALU
22	1	1802013	MAIN PIVOT CHIP, NO KEY
23	2	1802005	O-RING, 70A, ID: 9.5, T: 1.5
24	2	1802006	O-RING, 70A, ID: 19, T: 1.5
44	2	1802004	SEALED BEARING SPACER, ID: 10, OD: 21.5, T: 2.65
45	1	1800019	WASHERID: 10.2, OD: 15.5, T:1
5	1	1801005	MP BOLT, M10X1.25, L:75, 6MM HEX
7	1	1802000	LINK BOLT UPPER, M8 x 1, L: 58.5, 5 mm HEX
8	1	1802001	LINK BOLT LOWER, M8 x 1, L: 70.5, 5 mm HEX
47	2	1802011	WASHER ID: 8.2, OD: 13.5, T: 1
6	2	1801007	ALTITUDE DROPOUT BOLT, M8X1.0, L:30, 6MM HEX
39	2	1800040	DROPOUT BEARING SLEEVE, OD:14, ID:8, T:1.8, 6061 ALU
		<b>1812004</b>	<b>PIVOT BEARING KIT ELEMENT 2022</b>
2	8	1801010	ENDURO 688 LLU MAX 16X8X5
3	2	1807042	ENDURO 6900 2RS MAX 22X10X6
		<b>1812005</b>	<b>SHOCK BOLT KIT ELEMENT 2022</b>
9	1	1802007	SHOCK BOLT, M8x1.0, L:31.5, 5 mm HEX
10	1	1802008	RIDE 4 BOLT, M8 x 1, OD: 8 mm, L:56, 5 mm Hex
		<b>1811007</b>	<b>SHOCK BEARING EYELET KIT 2021</b>
2	2	1801010	ENDURO 688 LLU MAX 16X8X5
4	1	1807028	BEARING EYELET CENTRE SLEEVE
11	2	1800031	BEARING EYELET FOR 16X8X5 BRG
12	2	1800032	EYELET BEARING SPACER, T:6.3, FOR 40 MM LINK WIDTH
		<b>1812006</b>	<b>BIKE PROTECTION ELEMENT 2022</b>
25	1	3701003	CHAINSTAY PROTECTOR
26	1	3702014	DOWNTUBE PROTECTOR

28 1 3702021 SEATSTAY PROTECTOR TRIMMED

		<b>1812007</b>	<b>AXLE KIT BOOST 12X1.0</b>
--	--	----------------	------------------------------

1	1	3222000	REAR AXLE 12X1 L:173MM, HARD BLACK ANODISE
48	1	3227006	WASHER, 12x19x0.5MM, 304 SS

		<b>1812008</b>	<b>UDH STOP SCREW</b>
--	--	----------------	-----------------------

31	1	1802012	UDH STOP SCREW M4X8
----	---	---------	---------------------

		<b>1810022</b>	<b>HEAD TUBE PANEL KIT 2020</b>
--	--	----------------	---------------------------------

18	1	1800004	HT PLASTIC PORT COVER, M4, LEFT
19	1	1800003	HT PLASTIC PORT COVER, M4, RIGHT
32	2	1800024-BK	CSUNK SOCKET SCREW, M4x10mm, stainless black

		<b>1812009</b>	<b>ADHESIVE BB PORT COVER</b>
--	--	----------------	-------------------------------

27	1	3702015	BB PORT PROTECTOR, 85A
----	---	---------	------------------------

		<b>1812010</b>	<b>RIDE 4 THREADED CHIP KIT</b>
--	--	----------------	---------------------------------

29	1	1802009	RIDE 4 CHIP, NO THREAD.
30	1	1802010	RIDE 4 CHIP, THREADED, M8 x 1.