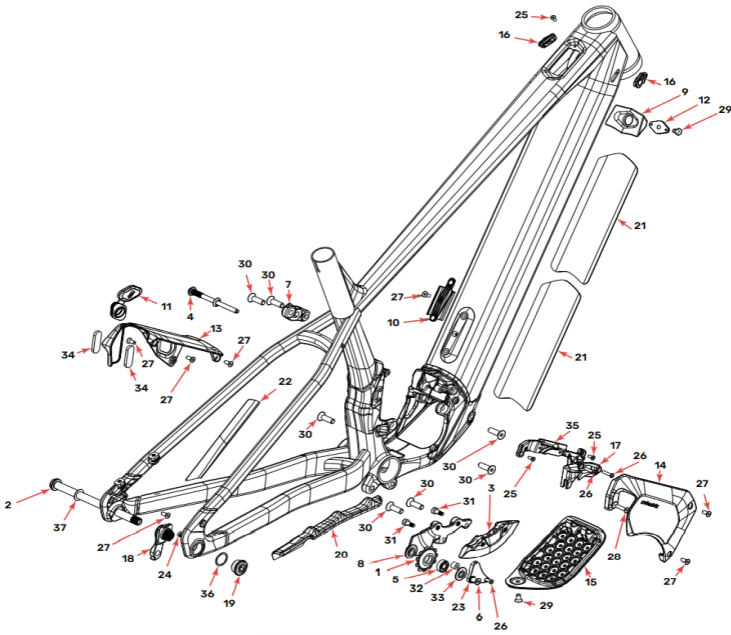


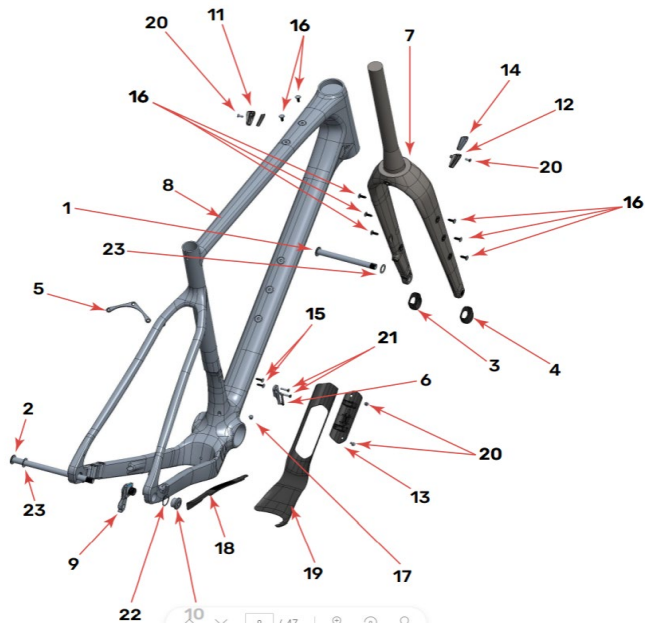
Slayer MY23+

QTY	#	Rocky ArtikeInr.	BA ArtikeInr.	Beschreibung RM	NM
		<b>1813461</b>	<b>10001803</b>	<b>2023 SLAYER LINK, RIDE 4, 29</b>	
1	34	1093006		MY23 SLAYER LINK, RIDE 4, 29	
		<b>1813462</b>	<b>10001804</b>	<b>2023 SLAYER LINK, RIDE 4, 27.5" (MX)</b>	
1	35	1093009		MY23 SLAYER LINK, RIDE 4, 27.5"	
		<b>1812002</b>	<b>10001621</b>	<b>2022 HANGER KIT 12 x1.0</b>	
1	30	1092003		MY22 REAR DER. HANGER, M12X1.0, UDH COMPATIBLE	
1	31	1801008		HANGER/AXLE NUT FOR UDH COMPATIBLE HANGER	20
1	70	1801009		WASHER, 20X24X0.5MM, 304 SS	
		<b>1813463</b>	<b>10001805</b>	<b>2023 SLAYER PIVOT BOLT KIT</b>	
1	8	1800011		LINK BOLT, UPPER, M10X1.0, L=58.5, 6MM HEX	8
2	9	1801007		ALTITUDE DROPOUT BOLT, M8X1.0, L=30, 6MM HEX	8
1	13	1803008		SLAYER LINK BOLT, LOWER, M10X1.0, L=79, 6MM HEX	8
1	14	1803010		MP BOLT, M12X1.25, L=86, 6MM HEX	15
1	36	1803007		SLAYER MAIN PIVOT CHIP	
1	37	1802006		O-RING, 70A, ID: 19, T: 1.5	
1	59	1800008		TT BEARING SLEEVE, ID:10, OD:14, L:29	
2	60	1800040		DROPOUT BEARING SLEEVE, OD:14, ID:8, T:1.8, 6061 ALU	
1	61	1803009		S5 BEARING SLEEVE, ID:10, OD:14, L:50, NECKED	
1	62	1803011		MAIN PIVOT BEARING SLEEVE, OD:17, ID:12, T:47	
4	64	1800009		LINK BEARING SPACER, OD:22, ID:10, T:2.5	
4	65	1800039		DO BEARING SPACER, OD:16, ID:8, T:1.75, 6061 ALU	
2	67	1800019		WASHER ID: 10.2, OD: 15.5, T: 1	
1	68	1800020		WASHER ID: 12.2, OD: 17.5, T: 1	
2	69	1800046		12MM MAIN PIVOT WASHER	
		<b>1812037</b>	<b>10001635</b>	<b>PIVOT BEARING KIT ALT. INST PP 2022</b>	
2	5	1800021		ENDURO 6001 LLU MAX 28X12X8	
4	6	1801010		ENDURO 688 LLU MAX 16X8X5	
4	7	1807042		ENDURO 6900 2RS MAX 22X10X6	
		<b>1812038</b>	<b>10001636</b>	<b>SHOCK BOLT KIT ALT. INST PP 2022</b>	
1	10	1801018		SHOCK BOLT, M8X1.0, L=34.5, 5MM HEX	8
1	12	1802008		RIDE 4 BOLT, M8 x 1, OD: 8 mm, L:56, 5 mm Hex	8
		<b>1813490</b>	<b>10001806</b>	<b>SHOCK BOLT KIT SLAYER AL 2023</b>	
1	15	1803026		SHOCK BOLT, M8X1.0, L=36.5, 5mm hex	8
1	12	1802008		RIDE 4 BOLT, M8 x 1, OD: 8 mm, L:56, 5 mm Hex	8
		<b>1811007</b>	<b>10001465</b>	<b>SHOCK BEARING EYELET KIT 2021</b>	
2	6	1801010		ENDURO 688 LLU MAX 16X8X5	
1	63	1807028		BEARING EYELET CENTRE SLEEVE	
2	16	1800031		BEARING EYELET FOR 16X8X5 BRG	
2	17	1800032		EYELET BEARING SPACER, T=6.3, FOR 40 MM LINK WIDTH	
		<b>1811008</b>	<b>10001466</b>	<b>CHAIN GUIDE KIT ALT. INST 2021</b>	
1	11	1801019		SOCKET HEAD CAP SCREW; M5X8, BLUE LOCTITE	
1	21	3391004		ONEUP CHAINGUIDE ASSEMBLY (1C0686)	
1	22	3391001		BASE PART OF CHAINGUIDE	
1	23	3391002		SLIDING PART OF CHAINGUIDE	
		<b>1813464</b>	<b>10001807</b>	<b>2023 SLAYER BIKE PROTECTION KIT CARBON</b>	
1	41	3703021		SEATSTAY PROTECTOR, TRIMMED	
1	42	3703045		2023 SLAYER CHAINSTAY PROTECTOR	
1	43	3703047		2023 SLAYER DOWN TUBE PROTECTOR	
2	44	3703049		2023 SLAYER TAILGATE PROTECTOR	
		<b>1813465</b>	<b>10001808</b>	<b>2023 SLAYER BIKE PROTECTION KIT ALLOY</b>	
2	39	370002		TAILGATE PROTECTOR	
1	40	3701005		DOWNTUBE PROTECTOR	
1	41	3702021		SEATSTAY PROTECTOR, TRIMMED	
1	42	3703045		2023 SLAYER CHAINSTAY PROTECTOR	
		<b>1812007</b>	<b>10001627</b>	<b>AXLE KIT BOOST 12X1.0</b>	
1	4	3222000		REAR AXLE 12X1.0, L:173MM, HARD BLACK ANODIZE	10
1	71	3227006		WASHER, 12x19x0.5MM, 304 SS	
		<b>1813466</b>	<b>10001809</b>	<b>2023 SLAYER FWD SHOCK YOKE KIT 27.5"/29"</b>	
1	57	1093010		MY23 SLAYER SHOCK YOKE 27.5"/29"	
2	47	1801014		M6-1.0, 14MM LONG, SOCKET HEAD	12
		<b>1813467</b>	<b>10001810</b>	<b>NEW HEAD TUBE PANEL KIT (FROM 2023)</b>	
1	32	1803012		2023 SLAYER CARBON HT PORT COVER, RIGHT	
1	33	1803013		2023 SLAYER CARBON HT PORT COVER, LEFT	
2	49	1800024-BK		C'SUNK SOCKET SCREW, M4x10mm, zinc plated 10.9 steel black	2
		<b>1813468</b>	<b>10001811</b>	<b>ALLOY FRAME GROMMET KIT 2X 2 ENTRY + 1X 1 ENTRY</b>	
1	28	1807078		34.9MM SEAT TUBE DROPPER GROMMET	
2	29	1809004		RUBBER GROMMET FOR 2 CABLES, 5mm,4mm YF-W13-2	
		<b>1812010</b>	<b>10001631</b>	<b>RIDE 4 THREADED CHIP KIT</b>	
1	45	1802009		RIDE 4 CHIP, NO THREAD.	
1	46	1802010		RIDE 4 CHIP, THREADED, M8 x 1.	
		<b>1811011</b>	<b>10001469</b>	<b>AXLE FLIP CHIP KIT SLAYER ALLOY 2023</b>	
1	2	3221001		AXLE FLIP CHIP, LEFT	
1	3	3221002		AXLE FLIP CHIP, RIGHT	
1	38	1805081		O-RING, ID 24.5MM, W:1.50, NITRILE.	
		<b>1813469</b>	<b>10001813</b>	<b>AXLE FLIP CHIP KIT 2023 SLAYER CARBON</b>	
1	2	3221001		AXLE FLIP CHIP, LEFT	
1	25	3453001		SLAYER CARBON DRIVE SIDE AXLE CHIP	
1	38	1805081		O-RING, ID 24.5MM, W:1.50, NITRILE.	
		<b>1811013</b>	<b>10001471</b>	<b>BRAKE ADAPTER KIT FOR 2 POSITION AXLE</b>	
1	1	1801022		BRAKE ADAPTER	
2	48	1801023		M6-1.0, 22MM LONG, SOCKET HEAD	8
		<b>1811012</b>	<b>10001470</b>	<b>UDH STOPPER KIT</b>	
1	66	1801003		UDH STOPPER	
1	50	1808152OVT		C'SUNK SOCKET SCREW, M5-0.8x10MM, BLACK STAINLESS STEEL	2
		<b>1813491</b>	<b>10001814</b>	<b>2023 SLAYER CARBON DT COVER ASSEMBLY</b>	
1	73	1993005		DT COVER TAB	
2	74	1803019		15x8-5x1 D-SHIM TAB SPACER	
1	75	1803018		M4x10mm FLANGE BUTTON HEAD BOLT	2
1	76	1993004		OVERMOLDED HATCH COVER WITH INSERT AND MAGNETS	
		<b>1813489</b>	<b>10001815</b>	<b>2023 SLAYER CARBON MAGNETIC DT COVER HOLDER KIT</b>	
2	72	1803015		M3 BINDING BARREL	
2	77	1803016		M3X8mm FLAT HEAD SCREW, PLATED, BLACK	2
1	78	1993006		STAINLESS STEEL MAGNETIC UPPER COVER HOLDER	
		<b>AC00340S1</b>	<b>10001816</b>	<b>RMB TOOL WRAP 23 OS BK</b>	
1	79	AC00340S1		RMB TOOL WRAP 23 OS BK	
		<b>AC00330S1</b>	<b>10001817</b>	<b>RMB TUBE BAG 23 OS BK</b>	
1	80	AC00330S1		RMB TUBE BAG 23 OS BK	



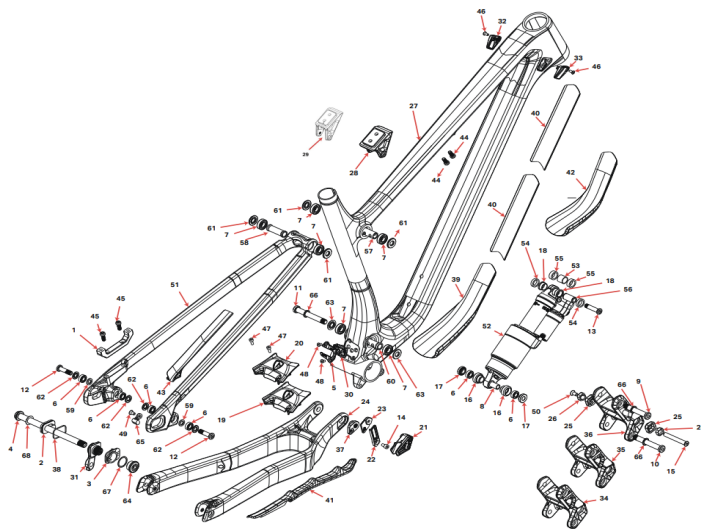
Fusion Powerplay MY23

QTY	#	Rocky Artikelnr.	BA Artikelnr.	Beschreibung RM	NM
		<b>1812002</b>	<b>10001621</b>	<b>2022 HANGER KIT 12 X1.0</b>	
1	18	1092003		MY22 REAR DER. HANGER, M12X1, UDH COMPATIBLE	
1	19	1801008		HANGER/AXLE NUT FOR UDH COMPATIBLE HANGER	20
1	36	1801009		WASHER, 20X24X0.5MM, 304 SS	
		<b>1812007</b>	<b>10001627</b>	<b>AXLE KIT BOOST 12X1.0</b>	
1	2	3222000		REAR AXLE 12X1.0 L:173MM, HARD BLACK ANODIZE	10
1	37	3227006		WASHER, 12x19x0.5MM, 304 SS	
		<b>1812008</b>	<b>10001628</b>	<b>UDH STOP SCREW</b>	
1	24	1802012		UDH STOP SCREW M4X9	2
		<b>1812039</b>	<b>10001639</b>	<b>ALLOY FRAME GROMMET KIT 2 ENTRY</b>	
2	16	1809004		RUBBER GROMMET FOR 2 CABLES, 5mm,4mm YF-W13-2	
		<b>1812041</b>	<b>10001641</b>	<b>CABLE COLLECTOR ALLOY FRAME</b>	
1	10	1992041		CABLE COLLECTOR, ABS PLASTIC	
1	27	1807152		C'SUNK SOCKET SCREW, M5-0.8x12mm, STAINLESS BLACK	2
		<b>1812042</b>	<b>10001643</b>	<b>2022 ALT. INST PP DOWNTUBE BUMPER KIT</b>	
1	9	1992053		POWERPLAY DT FORK BUMPER	
1	12	1992007		2022 APP DOWNTUBE BUMPER CLAMPING PLATE	
1	29	180566-012-BK		FLAT HEAD C'SUNK SOCKET SCREW, M6-1.0 X 12mm, Stainless black	3
		<b>1812043</b>	<b>10001644</b>	<b>2022 ALT. INST PP PROTECTION KIT</b>	
1	15	3702017		2022 APP DOWNTUBE PROTECTOR, ABS PLASTIC	
1	29	180566-012-BK		FLAT HEAD C'SUNK SOCKET SCREW, M6-1.0 X 12mm, Stainless black	3
1	20	3702018		CHAINSTAY PROTECTOR	
2	21	3702034		2022 APP DOWNTUBE PROTECTOR	
1	22	3702021		SEATSTAY PROTECTOR TRIMMED	
		<b>1997093</b>	<b>10001645</b>	<b>BASH GUARD KIT</b>	
1	3	1907058		RMB BASH GUARD	
2	31	1807125		CUSTOM HEX SOC. HD. SHLD. SCR., 303 SS, M5 6x8	4
		<b>1812044</b>	<b>10001646</b>	<b>CHAIN GUIDE KIT PP 2022</b>	
1	6	1807126		BOLT M8 X 18MM CUSTOM. 6061 HARD BLACK ANO.	
1	8	3992000		22 APP BASH GUARD BRACKET, 6061-T6, HARD BLACK ANO	
1	23	3399003		LOWER CHAIN GUIDE OUTER PLATE	
2	30	1807123OVT		C'SUNK SOCKET SCREW, M8-1.25x25mm, stainless steel black	14
1	26	1809011		C'SUNK SOCKET SCREW, M4x20mm, STAINLESS STEEL 316	2
1	32	3399006		LOWER CHAIN GUIDE SPACER	
		<b>1998024</b>	<b>10000754</b>	<b>LOWER CHAIN GUIDE 34T</b>	
1	1	1347012		11T cog, for 19mm bearing	
1	5	1807036		ENDURO 698 LLI 1908X6	
1	33	1347013		CHAINSTAY PULLEY GUIDE SPACER,	
		<b>1812045</b>	<b>10001648</b>	<b>2022 PP BATTERY BOLT</b>	
1	4	1802017		2022 APP BATTERY BOLT, M8 THREAD, INTEGRATED WASHER	8
		<b>1812060</b>	<b>10001649</b>	<b>2022 PP CHARGE PORT BRACKET KIT</b>	
1	7	1992006		2022 APP/PP CHARGE PORT BRACKET, HARD BLACK ANODIZED	
2	30	1807123OVT		C'SUNK SOCKET SCREW, M8-1.25x25mm, stainless steel black	14
		<b>1812046</b>	<b>10001650</b>	<b>2022 PP CABLE TRAY KIT</b>	
1	35	1992049		2022 APP CABLE TRAY, FOR CHAIN GUIDE, ABS PLASTIC	
2	25	1800024-BK		C'SUNK SOCKET SCREW, M4x10mm, zinc plated 10.9 steel black	2
		<b>1812047</b>	<b>10001651</b>	<b>2022 PP UPPER CHAIN GUIDE KIT</b>	
1	17	1992050		2022 APP CHAIN GUIDE, FOR CABLE TRAY, ABS PLASTIC	
2	26	1809011		C'SUNK SOCKET SCREW, M4x20mm, STAINLESS STEEL 316	2
		<b>1812048</b>	<b>10001652</b>	<b>2022 PP CHARGE PORT RUBBER DOOR</b>	
1	11	1992014		CHARGE PORT RUBBER DOOR.	
		<b>1812049</b>	<b>10001653</b>	<b>2022 PP DRIVE SIDE COVER KIT</b>	
1	14	1992010		2022 APP/PP DRIVE SIDE COVER, PLASTIC	
2	27	1807152		C'SUNK SOCKET SCREW, M5-0.8x12mm, STAINLESS BLACK	2
1	28	1808137OVT		C'SUNK SOCKET SCREW, M5-0.8x22MM, BLACK STAINLESS STEEL	2
		<b>1812065</b>	<b>x</b>	<b>2023 PP NDS COVER KIT FUSION PPLY 30 FRAME</b>	
1	13	1992008-11		22 MOTOR BRIDGE COVER ALTITUDE PPLY 2 ALU C1	
3	27	1807152		C'SUNK SOCKET SCREW, M5-0.8x12mm, STAINLESS BLACK	2
2	34	3992001		FOAM TAPE FOR BRIDGE COVER	
		<b>1812066</b>	<b>x</b>	<b>2023 PP NDS COVER KIT FUSION PPLY 30 FRAME</b>	
1	13	1992008-12		22 MOTOR BRIDGE COVER ALTITUDE PPLY 2 ALU C1	
3	27	1807152		C'SUNK SOCKET SCREW, M5-0.8x12mm, STAINLESS BLACK	2
2	34	3992001		FOAM TAPE FOR BRIDGE COVER	
		<b>1812058</b>	<b>10001662</b>	<b>2022 PP FRAME HARDWARE (MOTOR)</b>	
5	30	1807123OVT		C'SUNK SOCKET SCREW, M8-1.25x25mm, stainless steel black	14

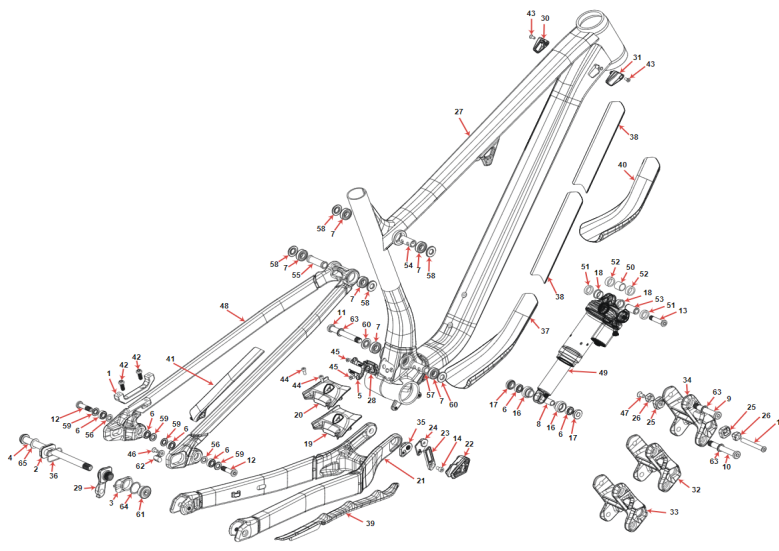


QTY	#	Rocky Artikelnr.	BA Artikelnr.	Beschreibung RM	NM
		<b>1813481</b>	<b>10001787</b>	<b>REAR AXLE KIT MY23 SOLO CR 12X1.0</b>	
1	2	3223002		REAR AXLE, 12 X 1.0, HARD BLACK ANODIZED, 7075	10
1	23	3227006		WASHER, 12x19x0.5MM, 304 SS	
		<b>1813482</b>	<b>10001788</b>	<b>FRONT AXLE KIT MY23 SOLO CR 12X1.0</b>	
1	1	3223001		FRONT AXLE, 12 X 1.0, HARD BLACK ANODIZED, 7075	10
1	23	3227006		WASHER, 12x19x0.5MM, 304 SS	
		<b>1812002</b>	<b>10001621</b>	<b>2023 HANGER KIT 12 x1.0</b>	
1	9	1092003		MY22 REAR DER. HANGER, M12X1, UDH COMPATIBLE	
1	10	1801008		HANGER/AXLE NUT FOR UDH COMPATIBLE HANGER	20
1	22	1801009		WASHER, 20X24X0.5MM, 304 SS	
		<b>1813483</b>	<b>10001789</b>	<b>HEAD TUBE PANEL KIT W/BLANK PLATE</b>	
1	11	1800004		HT PLASTIC PORT COVER, M4, LEFT	
1	12	1800003		HT PLASTIC PORT COVER, M4, RIGHT	
2	20	1800024-BK		C'SUNK SOCKET SCREW, M4x10mm, zinc plated 10.9 steel black	2
1	14	1994000		HT PANEL BLANKING PLATE, BLACK NYLON + GF	
		<b>1813484</b>	<b>10001790</b>	<b>MY23 SOLO DIZ PANEL KIT</b>	
1	13	1993002		SOLO DIZ PORT COVER	
2	20	1800024-BK		C'SUNK SOCKET SCREW, M4x10mm, zinc plated 10.9 steel black	2
		<b>1813485</b>	<b>10001791</b>	<b>MY23 SOLO CR PROTECTION KIT</b>	
1	3	3103001		SOLO FORK BOOT LEFT	
1	4	3103002		SOLO FORK BOOT RIGHT	
1	18	3703001		MY21 SOLO CHAINSTAY PROTECTOR	
1	19	3703002		SOLO DOWNTUBE PROTECTOR	
		<b>1813486</b>	<b>10001792</b>	<b>MY23 SOLO FRONT DERAILLEUR MOUNT KIT</b>	
1	6	1993001		2023 SOLO FD MOUNT	
2	21	1805077		C'SUNK SOCKET SCREW, M4x16mm, zinc plated 10.9 steel	2
		<b>1813487</b>	<b>10001793</b>	<b>MY23 SOLO SS FENDER MOUNT KIT</b>	
1	5	3633001		SOLO CARBON SS FENDER MOUNT, ABS	
		<b>1813488</b>	<b>10001794</b>	<b>MY23 SOLO FRAME PLUG KIT</b>	
2	15	1804021		M4 RIVNUT PLUG	
8	16	1804020		M5 RIVNUT PLUG, BLACK PLASTIC	
1	17	1804022		RUBBER PLUG 6MM DIZ FD	

Instinct / Altitude Carbon MY21-23



QTY	# Rocky Artikelnr.	BA Artikelnr.	Beschreibung RM	NM
1	34	1811023	2021 INSTINCT LINK 27.5" (XS, S), 29" (S)	
1	1091007	10001547	2021 INSTINCT LINK 27.5" (XS, S), 29" (S)	
1	35	1811024	2021 ALTITUDE LINK 27.5" (S, M)	
1	1091006	10001548	2021 ALTITUDE LINK 27.5" (S, M)	
1	36	1811025	2021 ALTITUDE/INSTINCT LINK 29" (M, L, XL)	
1	1091001	10001549	2021 ALTITUDE/INSTINCT LINK 29" (M, L, XL)	
1	31	1811003	2021 HANGER KIT	
1	64	1091004	REAR DER. HANGER, EXT. THREAD, UDH COMPATIBLE	
1	67	1801008	HANGER/AXLE NUT FOR UDH COMPATIBLE HANGER	20
1	1801009	1801009	WASHER, 20X24X0.5MM, 304 SS	
1	9	1811004	PIVOT BOLT KIT ALT. INST. 2021	
1	10	1800011	LINK BOLT, UPPER, M10X1.0, L:58.5, 6MM HEX	8
3	66	1800019	LINK BOLT, LOWER, M10X1.0, L:70.5, 6MM HEX	8
1	60	1800006	WASHER ID:10.2, OD:15.5, T:1	
2	63	1800047	MAIN PIVOT BEARING SLEEVE, OD:15, ID:10, T:39, 6061 ALU	
1	11	1801005	MP BEARING SPACER, OD:22, ID:10, T:2.65	
1	37	1801001	MP BOLT, M10X1.25, L:75, 6MM HEX	15
1	57	1800008	MAIN PIVOTCHIP	
4	61	1800009	TT BEARING SLEEVE, ID:10, OD:14, L:29	
1	58	1800010	LINK BEARING SPACER, OD:22, ID:10, T:2.5	
2	12	1801007	SS BEARING SLEEVE, ID:10, OD:14, L:41, NECKED	
4	62	1800039	DROPOUT BOLT, M8X1.0, L:30, 6MM HEX	8
2	59	1800040	DO BEARING SPACER, OD:16, ID:8, T:1.5, 6061 ALU	
2	59	1800040	DROPOUT BEARING SLEEVE, OD:14, ID:8, T:1.8, 6061 ALU	
6	7	1811005	PIVOT BEARING KIT ALT. INST. 2021	
4	6	1807042	ENDURO BEARING 6900 2RS MAX TYPE, 22X10X6 SIZE	
4	6	1801010	ENDURO 688 LLU MAX 16X8X5	
1	13	1811006	SHOCK BOLT KIT ALT. INST. 2021	
1	15	1801018	SHOCK BOLT, M8X1.0, L:34.5, 5MM HEX	8
1	15	1807049	CSUNK BOLT, 8MM X 57MM X M6 INT.	8
1	50	180566-012	FLAT HEAD C'SUNK SOCKET SCREW, M6-1.0 X 12mm, Stainless black	8
2	17	1811007	SHOCK BEARING EYELET KIT 2021	
2	6	1800032	EYELET BEARING SPACER, T:6.3, FOR 40 MM LINK WIDTH	
1	8	1807028	ENDURO 688 LLU MAX 16X8X5	
2	16	1800031	BEARING EYELET CENTRE SLEEVE	
2	16	1800031	BEARING EYELET FOR 16X8X5 BRG	
1	14	1811006	CHAIN GUIDE KIT ALT. INST. 2021	
1	21	1801019	SOCKET HEAD CAP SCREW, M5X8, BLUE LOCITITE	<1
1	22	3391001	ONEUP CHAINGUIDE ASSEMBLY (1C0586)	
1	23	3391002	BASE PART OF CHAINGUIDE	
1	23	3391002	SLIDING PART OF CHAINGUIDE	
1	41	1811009	BIKE PROTECTION ALT. INST. 2021 FOR 29" & LG/XL 27.5"	
1	43	3701003	CHAINSTAY PROTECTOR	
1	39	370001	SEATSTAY PROTECTOR	
2	40	370002	DOWNTUBE PROTECTOR	
2	40	370002	TAILGATE PROTECTOR	
1	41	1811010	BIKE PROTECTION ALT. INST. 2021 FOR XS/S/M 27.5"	
1	43	3701003	CHAINSTAY PROTECTOR	
1	43	3701001	SEATSTAY PROTECTOR	
2	40	370002	TAILGATE PROTECTOR	
1	42	3701005	DOWNTUBE PROTECTOR XS, S, M (27.5")	
1	4	1817011	AXLE KIT BOOST	
1	4	3227009	REAR AXLE 12X1.5X173MM, HARD BLACK ANO	10
1	68	3227006	WASHER, 12x19x0.5MM, 304 SS	
1	2	1811011	AXLE FLIP CHIP KIT	
1	3	3221001	AXLE FLIP CHIP, LEFT	
1	3	3221002	AXLE FLIP CHIP, RIGHT	
1	38	1805081	O-RING, ID 24.5MM, W:1.50, NITRILE	
1	65	1811012	UDH STOPPER KIT	
1	49	1801003	UDH STOPPER	
1	49	18081520VT	CSUNK SOCKET SCREW, M5-0.8x10MM, BLACK STAINLESS STEEL	2
1	1	1811013	BRAKE ADAPTER KIT FOR 2 POSITION AXLE	
1	45	1801022	BRAKE ADAPTER	
2	45	1801023	M6-1.0, 22MM LONG, SOCKET HEAD	8
1	29	1811014	INSTINCT FWD SHOCK YOKE KIT	
1	29	1091003	INSTINCT FWD SHOCK YOKE	
2	44	1801014	M6-1.0, 14MM LONG, SOCKET HEAD	12
1	28	1811015	ALTITUDE FWD SHOCK YOKE KIT	
2	44	1091002	ALTITUDE FWD SHOCK YOKE	
2	44	1801014	M6-1.0, 14MM LONG, SOCKET HEAD	12
1	32	1810022	HEAD TUBE PANEL KIT 2020	
1	33	1800004	HT PLASTIC PORT COVER, M4, LEFT	
1	33	1800003	HT PLASTIC PORT COVER, M4, RIGHT	
2	46	1800024-BK	CSUNK SOCKET SCREW, M4x10mm, stainless black	<1
1	5	1811016	BB CABLE PORT KIT ALT. INST. 2021	
1	30	1800001	SLAYER BB PLASTIC PORT COVER	
1	30	1800002	SLAYER BB PORT GROMMET, 85A	
2	48	1807068-BK	C'SUNK SOCKET SCREW, M4x8mm, stainless black	<1
2	25	1810009	RIDE-9 FLIP CHIP KIT	
2	26	1807003	FLIP CHIP, OUTSIDE, AL7075, BLACK ANODIZE	
2	26	1807004	FLIP CHIP, INSIDE, AL7075, BLACK ANODIZE	
1	19	1811017	CANADIAN SHIELD 29 KIT ALT. INST. 2021	
2	47	1091005	29" CHAINSTAY YOKE COVER	
2	47	1801013	SOCKET HEAD CAP SCREW: M4X10	<1
1	20	1811018	CANADIAN SHIELD 27.5 KIT ALT. INST. 2021	
2	47	1991006	27.5" CHAINSTAY YOKE COVER	
2	47	0	SOCKET HEAD CAP SCREW: M4X10	



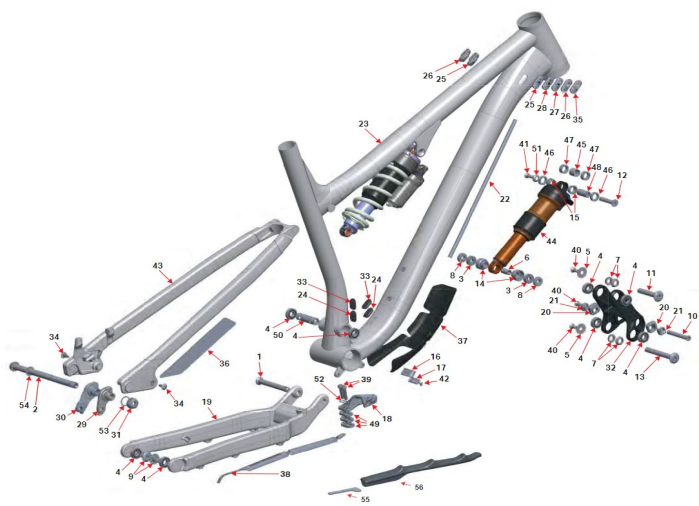
Instinct / Altitude Alu MY21-23

QTY	# Rocky Artikelnr.	BA Artikelnr.	Beschreibung RM	NM
	<b>1811023</b>	<b>10001547</b>	<b>2021 INSTINCT LINK 27.5" (XS, S), 29" (S)</b>	
1	1091007		2021 INSTINCT LINK 27.5" (XS, S), 29" (S)	
	<b>1811024</b>	<b>10001548</b>	<b>2021 ALTITUDE LINK 27.5" (S, M)</b>	
1	1091006		2021 ALTITUDE LINK 27.5" (S, M)	
	<b>1811025</b>	<b>10001549</b>	<b>2021 ALTITUDE/INSTINCT LINK 29" (M, L, XL)</b>	
1	1091001		2021 ALTITUDE/INSTINCT LINK 29" (M, L, XL)	
	<b>1811003</b>	<b>10001461</b>	<b>2021 HANGER KIT</b>	
1	1091004		REAR DER. HANGER, EXT. THREAD, UDH COMPATIBLE	
1	1801008		HANGER/AXLE NUT FOR UDH COMPATIBLE HANGER	20
1	1801009		WASHER, 20x24x0.5MM, 304 SS	
	<b>1811004</b>	<b>10001462</b>	<b>PIVOT BOLT KIT ALT. INST. 2021</b>	
1	1800011		LINK BOLT UPPER, M10X1.0, L=58.5, 6MM HEX	8
1	10	1801004	LINK BOLT LOWER, M10X1.0, L=70.5, 6MM HEX	8
3	1800019		WASHER ID: 20.2, O.D.: 15.5, T: 1	
1	1801006		MAIN PIVOT BEARING SLEEVE, OD:15, ID:10, T:39, 6061 ALU	
2	1800047		MP BEARING SPACER, OD:22, ID:10, T:2.65	
1	11	1801005	MP BOLT, M10X1.25, L75, 6MM HEX	15
1	1801001		MAIN PIVOT CHIP	
1	1800008		TT BEARING SLEEVE, ID:10, OD:14, L:29	
4	1800009		LINK BEARING SPACER, OD:22, ID:10, T:2.5	
1	1800010		SS BEARING SLEEVE, ID:10, OD:14, L:41, NECKED	
2	12	1801007	DROPOUT BOLT, M8X1.0, L=30, 6MM HEX	8
4	1800029		DD BEARING SPACER, OD:16, ID:8, T:1.5, 6061 ALU	
2	1800040		DROPOUT BEARING SLEEVE, OD:14, ID:8, T:1.8, 6061 ALU	
	<b>1811005</b>	<b>10001463</b>	<b>PIVOT BEARING KIT ALT. INST. 2021</b>	
6	1807042		ENDURO BEARING 6902 7RS MAX TYPE, 22x10x6 S2E	
4	1801010		ENDURO 688 LU MAX 16X8X5	
	<b>1811006</b>	<b>10001464</b>	<b>SHOCK BOLT KIT ALT. INST. 2021</b>	
1	1801018		SHOCK BOLT, M8X1.0, L=34.5, 5MM HEX	8
1	1807049		C'SUNK BOLT, 8MM X 57MM X 86JNT	8
1	180566-012		FLAT HEAD C'SUNK SOCKET SCREW, M6-1.0 X 12mm, Stainless black	8
	<b>1811007</b>	<b>10001465</b>	<b>SHOCK BEARING EYELET KIT 2021</b>	
2	113	1801012	EYELET BEARING SPACER, T:6.3, FOR 40 MM LINK WIDTH	
2	6	1801010	ENDURO 688 LU MAX 16X8X5	
1	8	1807028	BEARING EYELET CENTRE SLEEVE	
2	16	1800031	BEARING EYELET FOR 16X8X5 BRG	
	<b>1811008</b>	<b>10001466</b>	<b>CHAIN GUIDE KIT ALT. INST. 2021</b>	
1	14	1801019	SOCKET HEAD CAP SCREW, M5X8, BLUE LOCTITE	<1
1	22	3391004	ONEUP CHAINGUIDE ASSEMBLY (IC0686)	
1	23	3391001	BASE PART OF CHAINGUIDE	
1	24	3391002	SLIDING PART OF CHAINGUIDE	
	<b>1811009</b>	<b>10001467</b>	<b>BIKE PROTECTION ALT. INST. 2021 FOR 29" &amp; LG/MX 27.5"</b>	
1	39	3701003	CHAINSTAY PROTECTOR	
1	41	3701001	SEATSTAY PROTECTOR	
1	37	370001	DOWNTUBE PROTECTOR	
2	38	370002	TAILGATE PROTECTOR	
	<b>1811010</b>	<b>10001468</b>	<b>BIKE PROTECTION ALT. INST. 2021 FOR XS/S/M 27.5"</b>	
1	39	3701003	CHAINSTAY PROTECTOR	
1	41	3701001	SEATSTAY PROTECTOR	
2	38	370002	TAILGATE PROTECTOR	
1	40	3701005	DOWNTUBE PROTECTOR XS, S, M (27.5")	
	<b>1817011</b>	<b>10000677</b>	<b>AXLE KIT BOOST</b>	
1	4	3227009	REAR AXLE 12x173MM, HARD BLACK ANO	10
1	65	3227006	WASHER, 12x19x0.5MM, 304 SS	
	<b>1811011</b>	<b>10001469</b>	<b>AXLE FLIP CHIP KIT</b>	
1	2	3221001	AXLE FLIP CHIP, LEFT	
1	3	3221002	AXLE FLIP CHIP, RIGHT	
1	36	1805081	O-RING, ID 24.5MM, W:1.50, NITRILE	
	<b>1811012</b>	<b>10001470</b>	<b>UDH STOPPER KIT</b>	
1	62	1801003	UDH STOPPER	
1	46	18081520VT	C'SUNK SOCKET SCREW, M5-D.8x10MM, BLACK STAINLESS STEEL	2
	<b>1811013</b>	<b>10001471</b>	<b>BRAKE ADAPTER KIT FOR 2 POSITION AXLE</b>	
1	1	1801022	BRAKE ADAPTER	
2	42	1801023	M6-1.0, 22MM LONG, SOCKET HEAD	8
	<b>1810022</b>	<b>10001221</b>	<b>HEAD TUBE PANEL KIT 2020</b>	
1	30	1800004	HT PLASTIC PORT COVER, M4, LEFT	
1	31	1800003	HT PLASTIC PORT COVER, M4, RIGHT	
2	43	1800024-BK	C'SUNK SOCKET SCREW, M4x10mm, stainless black	<1
	<b>1811016</b>	<b>10001473</b>	<b>BB CABLE PORT KIT ALT. INST. 2021</b>	
1	5	1800001	SLAYER BB PLASTIC PORT COVER	
1	28	1800002	SLAYER BB PORT GROMMET, BSA	
1	66	1807078	34.9MM SEAT TUBE DROPPER GROMMET	
2	45	1807068-BK	C'SUNK SOCKET SCREW, M4x8mm, stainless black	<1
	<b>1810009</b>	<b>10001209</b>	<b>RISE-9 FLIP CHIP KIT</b>	
2	25	1807003	FLIP CHIP, OUTSIDE, AL7075, BLACK ANODIZE	
2	26	1807004	FLIP CHIP, INSIDE, AL7075, BLACK ANODIZE	
	<b>1811017</b>	<b>10001474</b>	<b>CANADIAN SHIELD 29 KIT ALT. INST. 2021</b>	
1	19	1091005	29" CHAINSTAY YOKE COVER	
2	44	1801013	SOCKET HEAD CAP SCREW, M4X10	<1
	<b>1811018</b>	<b>10001475</b>	<b>CANADIAN SHIELD 27.5 KIT ALT. INST. 2021</b>	
1	20	1091006	27.5" CHAINSTAY YOKE COVER	
2	44	1801013	SOCKET HEAD CAP SCREW, M4X10	<1
	<b>1812061</b>	<b>x</b>	<b>2021 ALTITUDE INSTINCT ALLOY DRILLOUT KIT</b>	
1	1809022		DRILL BIT 5MM	
1	1800006		SLAYER SHOCK BOLT FORWARD	
1	1807120-BK		FLAT HEAD C'SUNK SOCKET SCREW, M6-1.0X16MM BLACK	
1	1809023		2021 ALT/INST ALLOY DRILLED YOKE WASHER	



Altitude Carbon MY18-20

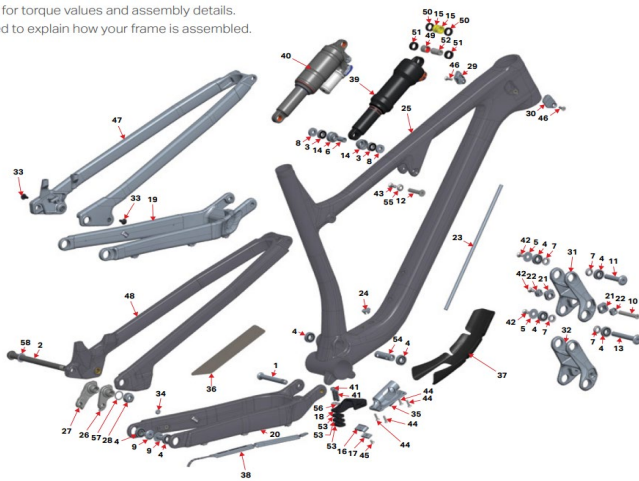
QTY #	Rocky Artikelnr.	BA Artikelnr.	Beschreibung RM	NM
			<b>ALTIITUDE LINK WITH BEARING KIT</b>	
1	1097182	10001206	ALTIITUDE LINK, 85MM LONG, RIDE9, AL7075-T6, HARD BLACK ANO	
4	1807042		ENDURO 6900 2RS MAX, 22X10X6	
			<b>HANGER KIT SHIMANO DIRECT MOUNT</b>	
1	1099041	10000895	REAR DER. HANGER, EXT THREAD, SHIMANO DIRECT MOUNT	20
1	1099033		HANGER NUT, M16X1, 8MM HEX	20
1	1808029		WASHER, 16x20x0.5MM, 304 SS	
			<b>KIT STANDARD HANGER</b>	
1	1099031	10000896	REAR DER. HANGER, EXT THREAD, STD MOUNT	20
1	1099033		HANGER NUT, M16X1, 8MM HEX	20
1	1808029		WASHER, 16x20x0.5MM, 304 SS	
			<b>PIVOT BOLT KIT</b>	
1	1807029	10001207	MP AXLE, M10X1.25, L84mm, AL7075-T6 HARD BLACK ANO	17
2	1807043		6900 BEARING CAP, AL 7075 T-6, HARD BLACK ANO	
4	1807044		6900 BEARING SPACER	
2	1807046		BOLT, 10MM X 15MM, M10X1 EXT., AL 7075-T6 HARD BLACK ANO	17
1	1807049		CSUNK BOLT, 8MM X 57MM X M6 INT.	8
1	1807060		BOLT, 10MM X 54MM, M10X1 INT., AL 7075-T6, HARD BLACK ANO	8
1	1807061		BOLT, 10MM X 78MM, M10X1 INT., AL 7075-T6, HARD BLACK ANO	8
3	180566-012		FLAT HEAD CSUNK SOCKET SCREW, M6-1.0 X 12mm, A4/316 SS, S5060.060.012	8
1	1807064		CSUNK WASHER, (for M6 screw) ID:6 x OD:14.6 x 3.25mm THK.	8
1	180566-016		FLAT HEAD CSUNK SOCKET SCREW, M6-1.0 X 16mm, A4/316 STAINLESS STEEL	8
1	1807062		SHOCK BOLT, SOLID, OD:8MM, L:42MM	8
1	1807038		MAIN PIVOT CENTER SPACER, ID:10, L:48	
			<b>SPIRIT GUIDE KIT</b>	
1	1807001	10000700	CHAIN GUIDE	
2	1807132		M6-1.0, 25MM LONG, SOCKET HEAD	6
1	1807133		CHAIN GUIDE WASHER	
3	1807002		CHAIN GUIDE SPACER	
			<b>BIKE PROTECTION KIT A</b>	
1	1807008	10001081	SEATSTAY PROTECTOR	
1	1807032		MULTIBIKE DOWNTUBE PROTECTOR	
1	1807035		MULTIBIKE CHAINSTAY PROTECTOR	
			<b>AXLE KIT BOOST</b>	
1	1807009	10000677	REAR AXLE 12X 173MM, HARD BLACK ANO	10
1	1807006		WASHER, 12x19x0.5MM, 304 SS	
			<b>SHOCK BEARING EYELET KIT</b>	
2	1807036	10001465	ENDURO 6900 ESR LLI MAX 19X8X6	
1	1807038		BEARING EYELET SLEEVE FOR SR 19X8X6 CLIP	
2	1807099		EYELET BEARING SPACER, 5.3MM THK, FOR 40MM LINK WIDTH	
2	1807026		BEARING EYELET FOR SR 19X8X6 BRG	
			<b>PIVOT BEARING KIT</b>	
8	1807042	10001229	ENDURO 6900 2RS MAX, 22X10X6	
			<b>HEAD TUBE PANEL KIT</b>	
1	1097136	10000679	HT PORT PANEL, LEFT	
1	1097140		HT PORT PANEL, RIGHT	
2	1806009		FLAT HEAD CSUNK SOCKET SCREW, M5-0.8 X 16mm, ALUMINIUM	1
			<b>DOWN TUBE PORT COVER KIT</b>	
1	1805056	10001208	SHIM. DIZ PORT COVER PLATE, PLASTIC	
1	1807066		CABLE PORT, 2-PIECE, BOTTOM HALF	
1	1807067		CABLE PORT, 2-PIECE, TOP HALF	
4	1805077		CSUNK SOCKET SCREW, M4x16mm, zinc plated 10.9 steel	1
1	1807068		CSUNK SOCKET SCREW, M4x8mm, zinc plated 10.9 steel	2
			<b>RIDE 9 FLIP CHIP KIT</b>	
2	1807003	10001209	FLIP CHIP, OUTSIDE, AL7075, BLACK ANODIZE	
2	1807004		FLIP CHIP, INSIDE, AL7075, BLACK ANODIZE	
			<b>2018 ALT/THUNDERBOLT CS PROTECTOR RETRO-FIT CR/AL</b>	
1	1807070	10001460	CHAINSTAY PROTECTOR DIE CUT TAIL SHORT	
1	180705A		RETROFIT CHAINSTAY PROTECTOR	



Altitude Alu MY18-20

QTY	Rocky Art#	BA Art#	Beschreibung RM	NM
			<b>Axle kit</b>	
1	2	3227009	REAR AXLE 1.2X 173MM, HARD BLACK ANO	10
1	54	3227006	WASHER, 12x19x0.5MM, 304 SS	
			<b>ALTITUDE LINK WITH BEARING KIT</b>	
1	32	1097182	ALTITUDE LINK, 85MM LONG, RIDE9, AL7075-T6, HARD BLACK ANO	
4	4	1807042	ENDURO BEARING 6900 2RS MAX TYPE, 22X10X6 SIZE	
			<b>HANGER KIT SHIMANO DIRECT MOUNT</b>	
1	30	1099041	REAR DER. HANGER, EXT THREAD, SHIMANO DIRECT MOUNT	20
1	31	1099033	HANGER NUT, M16X1, 8MM HEX	20
1	33	1808029	WASHER, 16x20x0.5MM, 304 SS	
			<b>KIT STANDARD HANGER</b>	
1	29	1099031	REAR DER. HANGER, EXT THREAD, STD MOUNT	20
1	31	1099033	HANGER NUT, M16X1, 8MM HEX	20
1	33	1808029	WASHER, 16x20x0.5MM, 304 SS	
			<b>PIVOT BOLT KIT</b>	
1	11	1807029	MP AXLE, M10X1.25, L184mm, AL7075-T6 HARD BLACK ANO	17
2	5	1807043	6900 BEARING CAP, AL 7075 T-6, HARD BLACK ANO	
4	7	1807044	6900 BEARING SPACER	
2	8	1807046	BOLT, 10MM X 15MM, M10X1 EXT., AL 7075 T-6 HARD BLACK ANO	17
1	10	1807049	C/SUNK BOLT, 8MM X 27MM X M6 NIT	8
1	11	1807060	BOLT, 10MM X 54MM, M6X1 INT., AL 7075 T-6, HARD BLACK ANO	8
1	13	1807061	BOLT, 10MM X 78MM, M6X1 INT., AL 7075 T-6, HARD BLACK ANO	8
1	40	180566-012	FLAT HEAD C/SUNK SOCKET SCREW, M6-1.0 X 12mm, A4/316 SS, 55000.060.012	8
1	51	1807064	C/SUNK WASHER, (for M6 screw) IBSx O.D:14.6 x 3.25mm THK.	8
1	41	180566-016	FLAT HEAD C/SUNK SOCKET SCREW, M6-1.0 X 16mm, A4/316 STAINLESS STEEL	8
1	12	1807062	SHOCK BOLT, SOLID, O.D:8MM, L: 41MM	8
1	50	1807038	MAIN PIVOT CENTER SPACER, ID:10, L:48	
			<b>BEARING KIT</b>	
8	4	1807042	ENDURO BEARING 6900 2RS MAX TYPE, 22X10X6 SIZE	
			<b>BIKE PROTECTION KIT A</b>	
1	36	3708008	SEATSTAY PROTECTOR	
1	37	3708022	MULTIBIKE DOWNTUBE PROTECTOR	
1	38	3708035	MULTIBIKE CHAINSTAY PROTECTOR	
			<b>SHOCK BEARING EYELET KIT</b>	
2	3	1807036	ENDURO 698 LLU MAX 19X8X6	
1	6	1807038	BEARING EYELET SLEEVE FOR SR 19X8X6 CUP	
2	8	1807099	EYELET BEARING SPACER, 5.3MM THK, FOR 40MM LINK WIDTH	
2	14	1807026	BEARING EYELET FOR SR 19X8X6 BRG	
			<b>SIDE 9 FLIP CHIP KIT</b>	
2	20	1807003	FLIP CHIP, OUTSIDE, AL7075, BLACK ANODIZE	
2	21	1807004	FLIP CHIP, INSIDE, AL7075, BLACK ANODIZE	
			<b>SPHINT GUIDE KIT</b>	
1	18	3398001	CHAIN GUIDE	
2	39	1807132	M6-1.0, 25MM LONG, SOCKET HEAD	6
1	52	1807133	CHAIN GUIDE WASHER	
3	48	3398002	CHAIN GUIDE SPACER	
			<b>GROMMET KIT FOR ALLOY FRAME</b>	
2	25	1809004	RUBBER GROMMET FOR 2 CABLES, 5mm,4mm YF-W13-2	
2	26	1809005	RUBBER GROMMET FOR 1 CABLE 4mm YF-W13-4	
1	27	1809006	RUBBER GROMMET FOR 1 CABLE 5mm YF-W13-5	
1	28	1809007	RUBBER GROMMET FOR 2 CABLES, 5mm, 5mm YF-W13-8	
1	35	1809008	RUBBER PLUG YF-W13-7	
2	33	1807077	34.9MM SEAT TUBE PLUG	
2	24	1807078	34.9MM SEAT TUBE DROPPER GROMMET	
			<b>Alloy seat stay Cap kit for alloy frames only</b>	
2	34	1808034	PLASTIC PLUG FOR MS THREAD, 12MM BUTTON HEAD, BLACK PLASTIC	
			<b>DOWNTUBE CABLE CLAMP KIT</b>	
1	16	1807066	CABLE PORT, 2-PIECE, BOTTOM HALF	
1	17	1807067	CABLE PORT, 2-PIECE, TOP HALF	
1	42	1807068	C/SUNK SOCKET SCREW, M4x8mm, zinc plated 10-9 steel	2
			<b>2018 ALTY/THUNDERBOLT CS PROTECTOR RETRO-FIT CR/AL</b>	
1	55	3700070	CHAINSTAY PROTECTOR DIE CUT TAIL SHORT	
1	56	370005A	RETROFIT CHAINSTAY PROTECTOR	

ble for torque values and assembly details.  
 iced to explain how your frame is assembled.

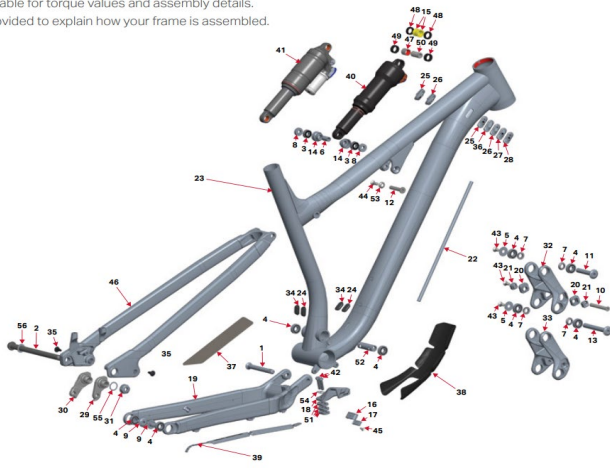


Instinct Carbon MY18-20

QTY	#	Rocky ArtikeInr.	BA ArtikeInr.	Beschreibung RM	NM
<b>1817011RMB 10000677 AXLE KIT</b>					
1	2	3227009		REAR AXLE 12 X 173 MM, HARD BLACK ANO	10
1	58	3227006		WASHER, 12 X 19 X 0.5 MM, 304 SS	
<b>1819015 10001242 INSTINCT LINK WITH BEARING KIT</b>					
1	31	1098101		INSTINCT LINK, 88 MM LONG, RIDE-9, AL 7075-T6, HARD BLACK ANO	
4	4	1807042		ENDURO BEARING 6900 2RS MAX TYPE, 22 X 10 X 6 SIZE	
<b>1819016 10001243 INSTINCT BC LINK WITH BEARING KIT</b>					
1	32	1098102		INSTINCT BC LINK, 88 MM LONG, AL 7075-T6, HARD BLACK ANO	
4	4	1807042		ENDURO BEARING 6900 2RS MAX TYPE, 22 X 10 X 6 SIZE	
<b>1818012 10000895 HANGER KIT SHIMANO DIRECT MOUNT</b>					
1	27	1099941		REAR DER. HANGER, EXT. THREAD, SHIMANO DIRECT MOUNT	20
1	28	1099933		HANGER NUT, M16X1, 8 MM HEX	20
1	57	1808029		WASHER, 16 X 20 X 0.5 MM, 304 SS	
<b>1818013 10000896 KIT STANDARD HANGER</b>					
1	26	1099931		REAR DER. HANGER, EXT. THREAD, STD MOUNT	20
1	28	1099933		HANGER NUT, M16X1, 8 MM HEX	20
1	57	1808029		WASHER, 16 X 20 X 0.5 MM, 304 SS	
<b>1810005 10001207 PIVOT BOLT KIT</b>					
1	1	1807029		MP AXLE, M10X1.25, L: 84 MM, AL 7075-T6 HARD BLACK ANO	17
2	5	1807043		6900 BEARING CAP, AL 7075-T6, HARD BLACK ANO	
4	7	1807044		6900 BEARING SPACER	
2	9	1807046		BOLT, 10 X 15 MM, M10X1, EXT., AL 7075-T6 HARD BLACK ANO	17
1	10	1807049		CSUNK BOLT, 8 X 57 MM X M6 INT.	8
1	11	1807060		BOLT, 10 X 54 MM, M6X1 INT., AL 7075-T6, HARD BLACK ANO	8
1	13	1807061		BOLT, 10 X 78 MM, M6X1 INT., AL 7075-T6, HARD BLACK ANO	8
3	42	180566-012 FBY		FLAT HEAD C'SUNK SOCKET SCREW, M6-1.0 X 12 MM, A4/316 SS, S5060.060.012	8
1	55	1807064		C'SUNK WASHER, FOR M6 SCREW 10.6 X OD: 14.6 X 3.25 MM THK.	
1	43	180566BY-016		FLAT HEAD C'SUNK SOCKET SCREW, M6-1.0 X 16 MM, A4/316 STAINLESS STEEL	8
1	12	1807062		SHOCK BOLT, SOLID, OD: 8 MM, L: 41 MM	8
1	54	1807038		MAIN PIVOT CENTER SPACER, ID: 10 MM, L: 48 MM	
<b>1817017 10001229 BEARING KIT</b>					
8	4	1807042		ENDURO BEARING 6900 2RS MAX TYPE, 22 X 10 X 6 SIZE	
<b>3708023 10001081 BIKE PROTECTION KIT A</b>					
1	36	3708008		SEATSTAY PROTECTOR	
1	37	3708022		MULTIBIKE DOWNTUBE PROTECTOR	
1	38	3708035		MULTIBIKE CHAINSTAY PROTECTOR	
<b>1818003 10001465 SHOCK BEARING EYELET KIT</b>					
2	3	1807036		ENDURO 698 LLU MAX 19 X 8 X 6	
1	6	1807028		BEARING EYELET SLEEVE FOR SR 19 X 8 X 6 CLIP	
2	8	1807099		EYELET BEARING SPACER, 5.3 MM THK, FOR 40 MM LINK WIDTH	
2	14	1807026		BEARING EYELET FOR SR 19 X 8 X 6 BRG	
<b>1810009 10001209 RIDE-9 FLIP CHIP KIT</b>					
2	21	1807003		FLIP CHIP, OUTSIDE, AL 7075, BLACK ANODIZE	
2	22	1807004		FLIP CHIP, INSIDE, AL 7075, BLACK ANODIZE	
<b>1810006 10000700 SPIRIT GUIDE KIT</b>					
1	18	3398001		CHAIN GUIDE	
2	41	1807132		M6-1.0, 25 MM LONG, SOCKET HEAD	6
1	56	1807133		CHAIN GUIDE WASHER	
3	53	3398002		CHAIN GUIDE SPACER	
<b>18187023 10000679 HEAD-TUBE PANEL KIT</b>					
1	29	1097136		HT PORT PANEL, LEFT	
1	30	1097140		HT PORT PANEL, RIGHT	
2	46	1806009		FLAT HEAD C'SUNK SOCKET SCREW, M5-0.8 X 16 MM, ALUMINUM	8
<b>1810008 10001208 DOWN-TUBE PORT COVER KIT</b>					
1	35	1805056		SHIM. D12 PORT COVER PLATE, PLASTIC	
1	16	1807066		CABLE PORT, 2-PIECE, BOTTOM HALF	
1	17	1807067		CABLE PORT, 2-PIECE, TOP HALF	
4	44	1805077		C'SUNK SOCKET SCREW, M4 X 16 MM, ZINC-PLATED 10.9 STEEL	1
1	45	1807068		C'SUNK SOCKET SCREW, M4 X 8 MM, ZINC-PLATED 10.9 STEEL	2
<b>1810027 2018 INSTINCT CS PROTECTOR RETRO-FIT CR/AL</b>					
1	59	3700069		CHAINSTAY PROTECTOR DIE CUT TAIL LONG	
1	60	370005-A		RETROFIT CHAINSTAY PROTECTOR	

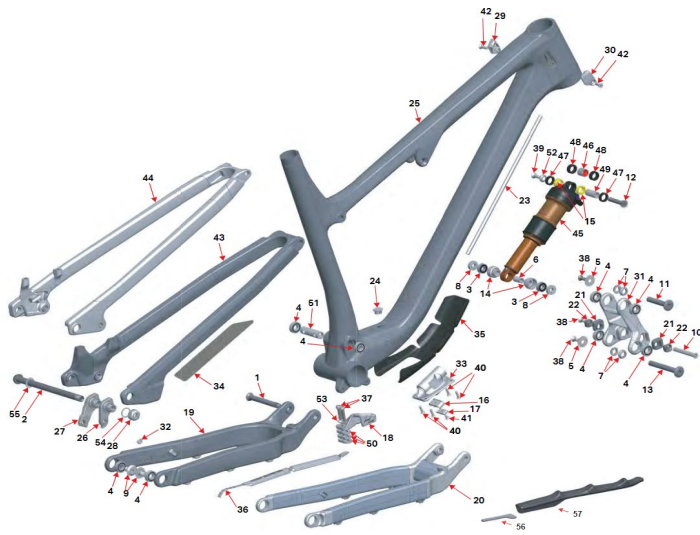


o the table for torque values and assembly details.  
are provided to explain how your frame is assembled.



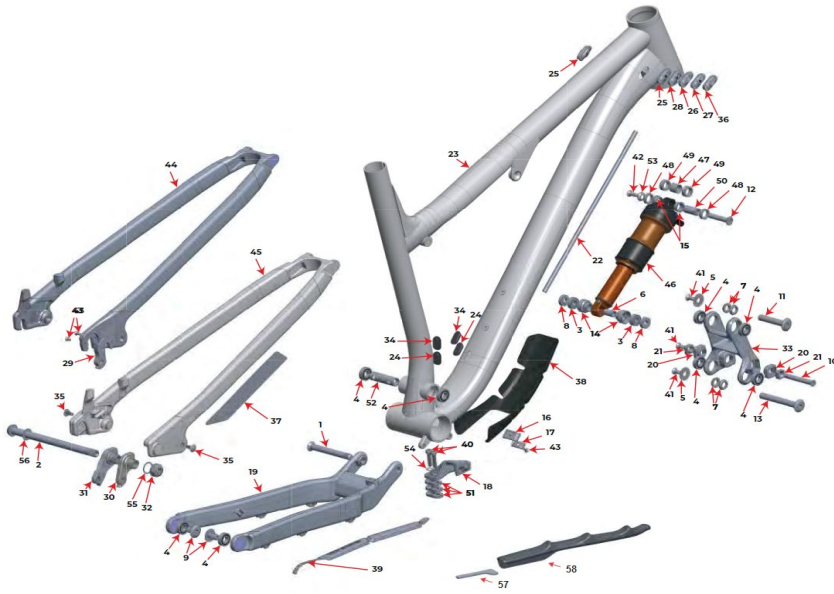
Instinct Alu MY18-20

QTY	#	Rocky Artikelnr.	BA Artikelnr.	Beschreibung RM	NM
<b>1817011RMB 1000677 AXLE KIT</b>					
1	2	3227009		REAR AXLE 12 X 173 MM, HARD BLACK ANO	17
1	56	3227006		WASHER, 12 X 19 X 0.5 MM, 304 SS	
<b>1819015 10001242 INSTINCT LINK WITH BEARING KIT</b>					
1	32	1098101		INSTINCT LINK, 88 MM LONG, RIDE-9, AL 7075-T6, HARD BLACK ANO	
4	4	1807042		ENDURO BEARING 6900 2RS MAX TYPE, 22 X 10 X 6 SIZE	
<b>1819016 10001243 INSTINCT BC LINK WITH BEARING KIT</b>					
1	33	1098102		INSTINCT BC LINK, 88 MM LONG, AL 7075-T6, HARD BLACK ANO	
4	4	1807042		ENDURO BEARING 6900 2RS MAX TYPE, 22 X 10 X 6 SIZE	
<b>1818012 10000895 HANGER KIT SHIMANO DIRECT MOUNT</b>					
1	30	1099041		REAR DER. HANGER, EXT. THREAD, SHIMANO DIRECT MOUNT	20
1	31	1099033		HANGER NUT, M16X1, 8 MM HEX	20
1	55	1808029		WASHER, 16 X 20 X 0.5 MM, 304 SS	
<b>1818013 10000896 KIT STANDARD HANGER</b>					
1	29	1099031		REAR DER. HANGER, EXT. THREAD, STD MOUNT	20
1	31	1099033		HANGER NUT, M16X1, 8 MM HEX	20
1	55	1808029		WASHER, 16 X 20 X 0.5 MM, 304 SS	
<b>1810005 10001207 PIVOT BOLT KIT</b>					
1	1	1807029		MP AXLE, M10X1.25, L: 84 MM, AL 7075-T6 HARD BLACK ANO	17
2	5	1807043		6900 BEARING CAP, AL 7075-T6, HARD BLACK ANO	
4	7	1807044		6900 BEARING SPACER	
2	9	1807046		BOLT, 10 X 15 MM, M10X1 EXT., AL 7075-T6 HARD BLACK ANO	17
1	10	1807049		C'SLUNK BOLT, 8 X 57 MM X M6 INT.	8
1	11	1807050		BOLT, 10 X 15 MM, M6X1 INT., AL 7075-T6, HARD BLACK ANO	8
1	13	1807051		BOLT, 10 X 78 MM, M6X1 INT., AL 7075-T6, HARD BLACK ANO	8
3	43	180566-012 FBV		FLAT HEAD C'SLUNK SOCKET SCREW, M6-1.0 X 12 MM, A4/316 SS, S5060.060.012	8
1	53	1807064		C'SLUNK WASHER, (for M6 screw) ID: 6 X OD: 14.6 X 3.25 MM THK.	8
1	44	180566FBV-016		FLAT HEAD C'SLUNK SOCKET SCREW, M6-1.0 X 16 MM, A4/316 STAINLESS STEEL	8
1	45	1807062		SHOCK BOLT, SOLID, OD: 8 MM, L: 41 MM	8
1	52	1807038		MAIN PIVOT CENTER SPACER, ID: 10 MM, L: 48 MM	
<b>1817017 10001229 BEARING KIT</b>					
8	4	1807042		ENDURO BEARING 6900 2RS MAX TYPE, 22 X 10 X 6 SIZE	
<b>3708023 10001081 BIKE PROTECTION KIT A</b>					
1	37	3708028		SEATSTAY PROTECTOR	
1	38	3708022		MULTIBIKE DOWNTUBE PROTECTOR	
1	39	3708035		MULTIBIKE CHAINSTAY PROTECTOR	
<b>1818003 10001465 SHOCK BEARING EYELET KIT</b>					
2	2	1807036		ENDURO 698 LRU MAX 15 X 8 X 6	
1	6	1807038		BEARING EYELET SLEEVE FOR SR 19 X 8 X 6 CLIP	
2	8	1807099		EYELET BEARING SPACER, 5.3 MM THK, FOR 40 MM LINK WIDTH	
2	14	1807026		BEARING EYELET FOR SR 19 X 8 X 6 BRG	
<b>1810009 10001209 RIDE-9 FLIP CHIP KIT</b>					
2	20	1807003		FLIP CHIP, OUTSIDE, AL 7075, BLACK ANODIZE	
2	21	1807004		FLIP CHIP, INSIDE, AL 7075, BLACK ANODIZE	
<b>1810006 10000700 SPIRIT GUIDE KIT</b>					
1	18	3398001		CHAIN GUIDE	
2	42	1807132		M6-1.0, 25 MM LONG, SOCKET HEAD	6
1	54	1807133		CHAIN GUIDE WASHER	
3	51	3398002		CHAIN GUIDE SPACER	
<b>1818014RMB 10001082 GROMMET KIT FOR ALLOY FRAME</b>					
2	25	1809004		RUBBER GROMMET FOR 2 CABLES, 5 MM, 4 MM YF-W13-2	
2	26	1809005		RUBBER GROMMET FOR 1 CABLE, 4 MM YF-W13-4	
1	27	1809006		RUBBER GROMMET FOR 1 CABLE, 5 MM YF-W13-5	
1	28	1809007		RUBBER GROMMET FOR 2 CABLES, 5 MM, 5 MM YF-W13-8	
1	36	1809008		RUBBER PLUG YF-W13-7	
2	34	1807077		34.9 MM SEAT TUBE PLUG	
2	24	1807078		34.9 MM SEAT TUBE DROPPER GROMMET	
<b>1818006RMB 10001089 ALLOY SEAT STAY CAP KIT FOR ALLOY FRAMES ONLY</b>					
2	35	1808034		PLASTIC PLUG FOR M5 THREAD, 12 MM BUTTON HEAD, BLACK PLASTIC	
<b>1819014 10001199 DOWNTUBE CABLE CLAMP KIT</b>					
1	16	1807066		CABLE PORT, 2-PIECE, BOTTOM HALF	
1	17	1807067		CABLE PORT, 2-PIECE, TOP HALF	
1	45	1807068		C'SLUNK SOCKET SCREW, M4X8 MM, ZINC PLATED 10-9 STEEL	2

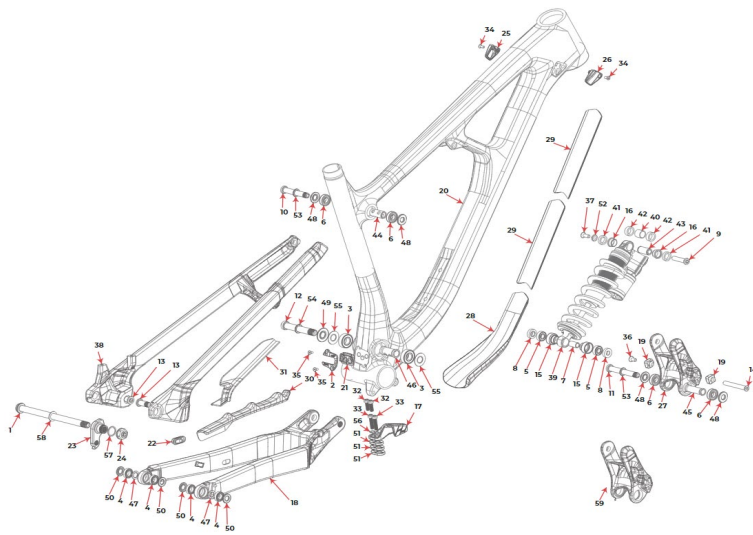


Thunderbolt Carbon MY18-20

QTY	Rocky Art#elcbr	BA Art#elcbr	Beschreibung RM	NM
			<b>THUNDERBOLT LINK WITH BEARING KIT</b>	
1	1919012	10001239	THUNDERBOLT LINK, 85MM LONG, RIDE9, AL 7075-T6, HARD BLACK ANO	
4	1807042		ENDURO 6900 2RS MAX, 22X10X6	
			<b>HANGER KIT SHIMANO DIRECT MOUNT</b>	
1	1818012	10000895	REAR DER. HANGER, EXT THREAD, SHIMANO DIRECT MOUNT	20
1	1099041		HANGER NUT, M16X1, 8MM HEX	20
1	1808029		WASHER, 16x20x0.5MM, 304 SS	
			<b>KIT STANDARD HANGER</b>	
1	1818013	10000896	REAR DER. HANGER, EXT THREAD, STD MOUNT	20
1	1099031		HANGER NUT, M16X1, 8MM HEX	20
1	1808029		WASHER, 16x20x0.5MM, 304 SS	
			<b>PIVOT BOLT KIT</b>	
1	1807029	10001207	MP AXLE, MIDX1 25, 1.80MM, AL7075, TO HARD BLACK ANO	17
2	1807043		6900 BEARING CAP, AL 7075 T-6, HARD BLACK ANO	
4	1807044		6900 BEARING SPACER	
2	1807046		BOLT, 10MM X 15MM, MIDX1 EXT., AL 7075 T-6, HARD BLACK ANO	17
1	1807049		C'SUNK BOLT, 8MM X 27MM X 4.6, 6-NIT	8
1	1807060		BOLT, 10MM X 54MM, M6X1 INT., AL 7075-T6, HARD BLACK ANO	8
1	1807061		BOLT, 10MM X 78MM, M6X1 INT., AL 7075 T-6, HARD BLACK ANO	8
1	180566-012		FLAT HEAD C'SUNK SOCKET SCREW, M6-L1 X 12mm, A4/316 SS, 25090.090.012	8
1	1807064		C'SUNK WASHER, (for M6 screw) IBSX 100-14.6 X 3, 25mm THK	8
1	180566-016		FLAT HEAD C'SUNK SOCKET SCREW, M6-L0 X 16mm, A4/316 STAINLESS STEEL	8
1	1807062		SHOCK BOLT, SOLID, OD 8MM, L= 41MM	8
1	1807038		MAIN PIVOT CENTER SPACER, ID: 10, L= 48	
			<b>SPIRIT GUIDE KIT</b>	
1	1818001	10000700	CHAIN GUIDE	
1	1807132		M6-L0, 25MM LONG, SOCKET HEAD	6
1	1807133		CHAIN GUIDE WASHER	
3	1808002		CHAIN GUIDE SPACER	
			<b>BIKE PROTECTION KIT A</b>	
1	1818003	10001081	SEATSTAY PROTECTOR	
1	1808008		MULTIBIKE DOWNTUBE PROTECTOR	
1	1808022		MULTIBIKE CHAINSTAY PROTECTOR	
			<b>AXLE KIT BOOST</b>	
1	1817011	10000677	REAR AXLE 12X 173MM, HARD BLACK ANO	10
1	1807009		WASHER, 12x19x0.5MM, 304 SS	
			<b>SHOCK BEARING EYELET KIT</b>	
2	1807036	10001465	ENDURO 698 LULI MAX 19X8X6	
1	1807028		BEARING EYELET SLEEVE FOR SR 19X8X6 CUP	
1	1807099		EYELET BEARING SPACER, 5.3MM THK, FOR 40MM LINK WIDTH	
2	1807026		BEARING EYELET FOR SR 19X8X6 BRG	
			<b>PIVOT BEARING KIT</b>	
8	1807042	10001229	ENDURO 6900 2RS MAX, 22X10X6	
			<b>HEAD TUBE PANEL KIT</b>	
1	1817023	10000679	HT PORT PANEL, LEFT	
1	1097136		HT PORT PANEL, RIGHT	
1	1097140		FLAT HEAD C'SUNK SOCKET SCREW, M5-0.8 X 16mm, ALUMINIUM	8
2	1806009			
			<b>DOWN TUBE PORT COVER KIT</b>	
1	1805056	10001208	SHIM. DIZ PORT COVER PLATE, PLASTIC	
1	1807066		CABLE PORT, 2-PIECE, BOTTOM HALF	
1	1807067		CABLE PORT, 2-PIECE, TOP HALF	
4	1805077		C'SUNK SOCKET SCREW, M4x16mm, zinc plated 10-9 steel	1
1	1807068		C'SUNK SOCKET SCREW, M4x16mm, zinc plated 10-9 steel	2
			<b>RIDE 9 FLIP CHIP KIT</b>	
2	1807003	10001209	FLIP CHIP, OUTSIDE, AL7075, BLACK ANODIZE	
2	1807004		FLIP CHIP, INSIDE, AL7075, BLACK ANODIZE	
			<b>2018 ALT/ THUNDERBOLT CS PROTECTOR RETRO-FIT CR/AL</b>	
1	1810028	10001460	CHAINSTAY PROTECTOR DIE CUT TAIL SHORT	
1	18070070		RETROFIT CHAINSTAY PROTECTOR	
1	180605A			

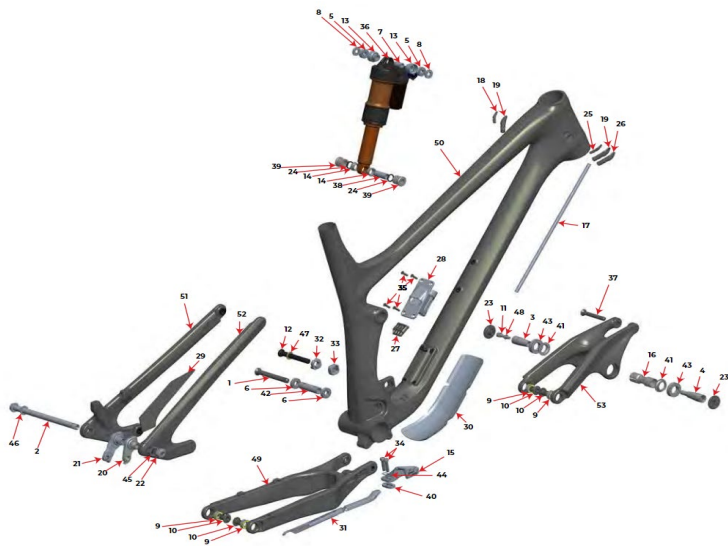


Thunderbolt Alu MY18-20



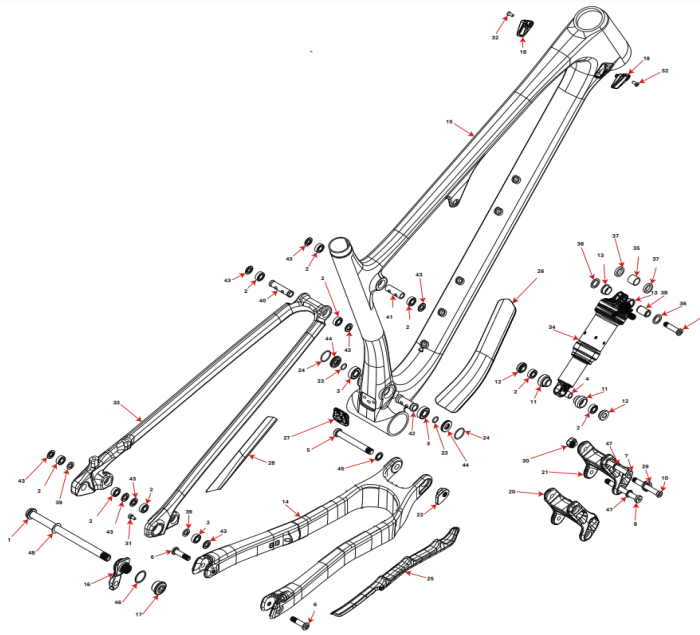
Slayer Carbon MY20-22

QTY	#	Rocky Artikeleer	BA Artikeleer	Beschreibung RM	MM
		<b>1810015</b>	<b>10001214</b>	<b>LINK WITH BEARING KIT SLAYER 27 2020</b>	
1	27	1090020		2020 SLAYER 27 LINK	
1	45	1800010		SLAYER SS BEARING SLEEVE, ID:10, OD:14, L:41, NECKED	
2	6	1807042		ENDURO 6900 2RS MAX, 2X1X06	
		<b>1810016</b>	<b>10001215</b>	<b>LINK WITH BEARING KIT SLAYER 29 2020</b>	
1	59	1090021		2020 SLAYER 29 LINK	
1	45	1800010		SLAYER SS BEARING SLEEVE, ID:10, OD:14, L:41, NECKED	
2	6	1807042		ENDURO 6900 2RS MAX, 2X1X06	
		<b>1818013</b>	<b>10000896</b>	<b>KIT STANDARD HANGER</b>	
1	23	1099031		REAR DER. HANGER, EXT THREAD, STD MOUNT	20
1	24	1099033		HANGER NUT, M14x1, 8MM HEX	20
1	57	1808029		WASHER, 16x20x0.5MM, 304 SS	
		<b>1810017</b>	<b>10001216</b>	<b>PIVOT BOLT KIT SLAYER 2020</b>	
1	9	1800006		SLAYER SHOCK BOLT, FORWARD, OD:8, L:35, SMM HEX	8
1	52	1800007		SLAYER SHOCK SCREW WASHER, M6 C/SINK	
1	37	1807120-BK		FLAT HEAD C'SUNK SOCKET SCREW, M6-1.0 X 16mm, Stainless, Black, BLUE LOCTITE	8
1	11	1800012		SLAYER LINK BOLT, LOWER, M10X1.0, L:73, 6MM HEX	8
2	53	1800019		WASHER ID:10.3, OD:15.5, T:1	
4	48	1800009		LINK BEARING SPACER, OD:22, ID:10, T:2.5	
1	14	1807049		C'SUNK BOLT, 8MM X 57MM X M6 INT.	8
1	36	180566-012-BK		FLAT HEAD C'SUNK SOCKET SCREW, M6-1.0 X 12mm, Stainless black	8
1	12	1800013		SLAYER MP BOLT, M12X1.0, L:73, 6MM HEX	17
1	54	1800020		WASHER ID:12.2, OD:17.5, T:1	
2	55	1800046		12MM MAIN PIVOT WASHER	
1	10	1800011		SLAYER LINK BOLT, UPPER, M10X1.0, L:59, 6MM HEX	8
2	13	1800016		SLAYER DROPDOWN BOLT, M10X1.0, L:24, 6MM HEX	17
1	44	1800008		SLAYER T BEARING SLEEVE, ID:10, OD:14, L:29	
1	46	1800014		SLAYER MP BEARING SLEEVE, OD:17, ID:12, L:35	
2	47	1800017		SLAYER DO BEARING SLEEVE, OD:16, ID:10, T:1.8	
4	50	1800018		DO BEARING SPACER, OD:15, ID:10, T:2	
		<b>1810018</b>	<b>10001217</b>	<b>SPRIT GUIDE KIT SLAYER 2020</b>	
1	17	3398001		CHAIN GUIDE	
2	32	1800029		M6-1.0, 18MM LONG, SOCKET HEAD	
2	33	1807132		M6-1.0, 35MM LONG, SOCKET HEAD	
3	51	3398002		CHAIN GUIDE SPACER	
1	59	1807133		CHAIN GUIDE WASHER	
		<b>1810019</b>	<b>10001218</b>	<b>BIKE PROTECTION KIT SLAYER 2020</b>	
2	29	370002		TAILGATE PROTECTOR	
1	28	370001		DOWNTUBE PROTECTOR	
1	30	370003		CHAINSTAY PROTECTOR	
1	31	370004		SEATSTAY PROTECTOR	
		<b>1810020</b>	<b>10001219</b>	<b>CHAINSTAY PROTECTOR 2020</b>	
1	30	370003		CHAINSTAY PROTECTOR	
		<b>1817011</b>	<b>10000677</b>	<b>AXLE KIT BOOST</b>	
1	1	3227009		REAR AXLE 12X 173MM, HARD BLACK ANO	10
1	58	3227006		WASHER, 12x19x0.5MM, 304 SS	
		<b>1818003</b>	<b>10000972</b>	<b>SHOCK BEARING EYELET KIT</b>	
2	5	1807026		ENDURO 690 LLU MAX 19X8X6	
1	7	1807028		BEARING EYELET SLEEVE FOR SR 19X8X6 CLIP	
2	8	1807099		EYELET BEARING SPACER, 5.3MM THK, FOR 40MM LINK WIDTH	
2	15	1807026		BEARING EYELET FOR SR 19X8X6 BRG	
		<b>1810021</b>	<b>10001220</b>	<b>PIVOT BEARING KIT SLAYER 2020</b>	
2	3	1800021		ENDURO 6001 LLU MAX 28X12X8	
4	4	1800012		ENDURO 6800 LLU MAX 19X10X5	
4	6	1807042		ENDURO 6900 2RS MAX, 2X1X06	
		<b>1810022</b>	<b>10001221</b>	<b>HEAD TUBE PANEL KIT 2020</b>	
1	25	1800004		HT PLASTIC PORT COVER, M4, LEFT	
1	26	1800003		HT PLASTIC PORT COVER, M4, RIGHT	
2	34	1800024-BK		C'SUNK SOCKET SCREW, M4x10mm, zinc plated 30.9 steel black	<1
		<b>1810023</b>	<b>10001222</b>	<b>BB CABLE PORT KIT 2020</b>	
1	2	1800001		SLAYER BB PLASTIC PORT COVER	
1	21	1800002		SLAYER BB PORT GROMMET, 8SA	
2	35	1807068-BK		FLAT HEAD C'SUNK SOCKET SCREW, M4 X 8mm, STAINLESS STEEL, BLACK	<1
1	22	1809006		RUBBER GROMMET FOR 1 CABLE 5mm YF-W13-5	
		<b>1810024</b>	<b>10001223</b>	<b>RIDE 4 FLIP CHIP KIT 2020</b>	
2	19	180628		FLIP CHIP, AL7075, BLACK ANODIZE	



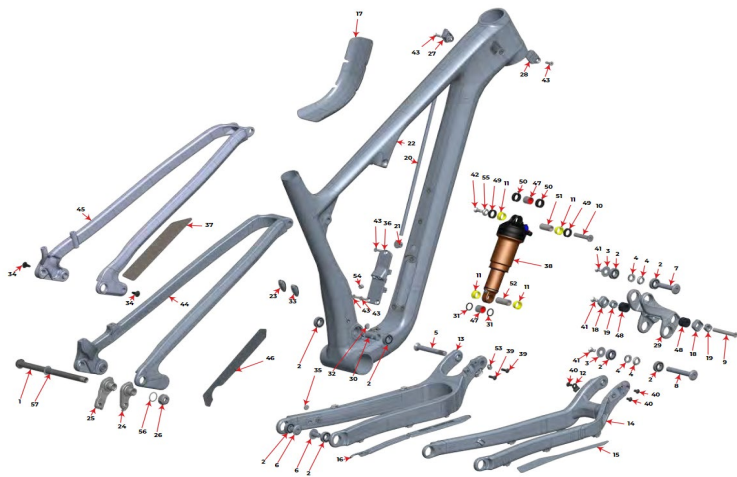
Slayer MY17-19

QTY	#	Rocky Artikelet.	BA Artikelet.	Beschreibung RM	NM
		<b>1817011</b>	<b>1000677</b>	<b>Axle kit</b>	
1	46	3227006		WASHER, 12x19x0.5MM, 304 SS	
1	2	3227009		REAR AXLE 12x 173MM, HARD BLACK ANO	10
		<b>1817012</b>	<b>1000697</b>	<b>bearing kit</b>	
2	6	1807042		ENDURO BEARING 6900 2RS MAX TYPE, 22x10x6 SIZE	
2	43	1807112		BEARING 6903 LLL MAX 17MM*30MM*7MM	
4	9	1807034		Slayer Rear pivots bearing, DR 11197 LLL MAX, ENDURO	
		<b>1817013</b>	<b>1000698</b>	<b>SLAYER protector kit</b>	
1	29	3707004		SLAYER SEATSTAY PROTECTOR	
1	30	3708034		SLAYER DOWNTUBE PROTECTOR	
1	31	3708037		SLAYER CHAINSTAY PROTECTOR	
		<b>1817014</b>	<b>1000699</b>	<b>DIZ Panel kit</b>	
1	28	1097023		SHIM, D12 PORT SLR, COVER PLATE, PLASTIC	
4	35	1806013		C-SUNK SOCKET SCREW, M4x16mm, AL6061-T6, HARD BLACK ANO	<1
1	27	1097021		CABLE 4-HOLE THROUGH PLUG, RUBBER	
		<b>1398002</b>	<b>10000700</b>	<b>SPIRIT GUIDE KIT</b>	
1	15	3398001		CHAIN GUIDE	
2	34	1807132		M6-1.0, 25MM LONG, SOCKET HEAD	
3	40	3398002		CHAIN GUIDE SPACER	
1	44	1807133		CHAIN GUIDE WASHER	
		<b>1817016</b>	<b>10000701</b>	<b>bearing eyelet kit</b>	
2	8	1807027		EYELET BEARING SPACER, 2.8MM THK, FOR 35MM LINK WIDTH	
2	5	1807036		ENDURO 698 LLL MAX 19X8X6	
2	13	1807026		BEARING EYELET FOR SR 19X8X6 BRG	
1	7	1807028		BEARING EYELET SLEEVE FOR SR 19X8X6 CUP	
		<b>1819017</b>	<b>10001244</b>	<b>SLAYER BEARING KIT FOR LINKS</b>	
2	41	1806093		MAIN PIVOT BEARING SPR, AL7075-T6, HARD BLACK ANODIZE	
2	43	1807112		BEARING 6903 LLL MAX 17MM*30MM*7MM	
2	9	1807034		Slayer Rear pivots bearing, DR 11197 LLL MAX, ENDURO	
		<b>1819018</b>	<b>10001245</b>	<b>SLAYER PIVOT BOLT KIT</b>	
1	37	1807037		Upper Shock bolt, 8mm OD x 11mm. Steel w. black plate.	9
2	23	1806087		TOP PIVOT LOCKNUT M12X1, AL7075-T6, HARD BLACK ANO.	17
1	11	1807039		SOCKET HEAD CAP SCREW, M6X25	13
1	48	1807069		BRASS WASHER, 10DD X 6ID X 1.5T	
1	3	1806088		17MM TOP PIVOT AXLE, LEFT, AL7075-T6	
1	4	1806089		17MM TOP PIVOT AXLE, RIGHT, AL7075-T6	
1	16	1806090		TOP PIVOT COLLET, AL7005-T6, HARD BLACK ANODIZE	
4	10	1807035		Rear pivots 11mmODx1.0 x 16L Axle, AL7075-T6, Hard Black ano	17
1	1	1807029		MP AXLE, MIDX1.25, L84mm, AL7075-T6 HARD BLACK ANO	17
1	42	1807038		MAIN PIVOT CENTER SPACER, ID:10, L:48	
1	12	1807024		Lower Shock bolt, 10mm OD x 75MML, AL7075-T6 Black ano	9
1	47	1806011		BRASS WASHER, 16.5OD X 11ID X 1.5T	
2	39	1807102		SLAYER BOT. SHOCK REDUCER, FOR ID:10, OD:12.7 x 30mm PIN	
		<b>1818012</b>	<b>10000895</b>	<b>HANGER KIT SHIMANO DIRECT MOUNT</b>	
1	21	1099041		REAR DER. HANGER, EXT THREAD, SHIMANO DIRECT MOUNT	20
1	22	1099033		HANGER NUT, M16X1, 8MM HEX	20
1	45	1808029		WASHER, 16x20x0.5MM, 304 SS	
		<b>1818013</b>	<b>10000896</b>	<b>KIT STANDARD HANGER</b>	
1	20	1099031		REAR DER. HANGER, EXT THREAD, STD MOUNT	20
1	22	1099033		HANGER NUT, M16X1, 8MM HEX	20
1	45	1808029		WASHER, 16x20x0.5MM, 304 SS	
		<b>1819019</b>	<b>10001246</b>	<b>RIDE 4 FLIP CHIP KIT</b>	
1	32	1807040		RIDE-4 CHIP, NO THREAD, SHORT, AL6061-T6 HARD BLACK ANO	
1	33	1807041		RIDE-4 CHIP, THREADED, SHORT, AL6061-T6 HARD BLACK ANO	
		<b>1819020</b>	<b>10001247</b>	<b>SLAYER GROMMET &amp; PLUGS KIT</b>	
1	18	1095058		CABLE PORT RUBBER GROMMET, D12	
2	19	1097027		CABLE PORT GROMMET, HOSE OR HOUSING, SPLIT, RUBBER	
1	25	1093001		CABLE PORT RUBBER PLUG	
1	26	1095088		CABLE PORT RUBBER PLUG FOR OVERSIZED 9MM ENTRY THRU-PORT	



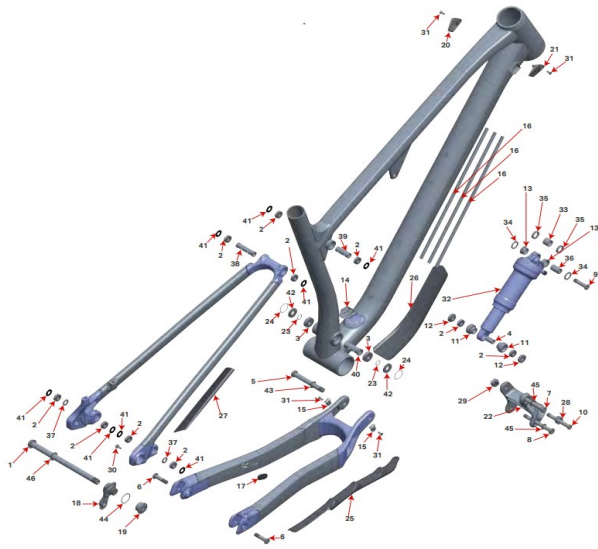
Element Carbon MY22+

QTY	#	Rocky Artikelnr.	BA Artikelnr.	Beschreibung RM	NM
		<b>1812001</b>	<b>10001619</b>	<b>2022 ELEMENT LINK 27.5" (XS)</b>	
1	20	1092001		2022 ELEMENT LINK 27.5" (XS)	
		<b>1812011</b>	<b>10001620</b>	<b>2022 ELEMENT LINK 29" (S,M, L, XL)</b>	
1	21	1092002		2022 ELEMENT LINK 29" (S,M, L, XL)	
		<b>1812002</b>	<b>10001621</b>	<b>2022 HANGER KIT 12 x1.0</b>	
1	44	1092003		MY22 REAR DER. HANGER, M12X1, UDH COMPATIBLE	
1	45	1801008		HANGER/AXLE NUT FOR UDH COMPATIBLE HANGER	
1	87	1801009		WASHER, 20X24X0.5MM, 304 SS	
		<b>1812003</b>	<b>10001622</b>	<b>PIVOT BOLT KIT ELEMENT 2022**CARBON ONLY</b>	
1	40	1802002		SS BEARING SLEEVE, ID: 8, OD: 11.5, L: 44	
1	41	1802003		TT BEARING SLEEVE, ID: 8, OD: 11.5, L: 32.4	
1	42	1802014		MAIN PIVOT BEARING SLEEVE, OD:15, ID:10, T:37	
8	43	1800039		DO BEARING SPACER, OD:16, ID:8, T:1.5, 6061 ALU	
1	22	1802013		MAIN PIVOT CHIP, NO KEY	
2	23	1802005		O-RING, 70A, ID: 9.5, T: 1.5	
2	24	1802006		O-RING, 70A, ID: 19, T: 1.5	
2	44	1802004		SEALED BEARING SPACER, ID: 10, OD: 21.5, T: 2.65	
1	45	1800019		WASHER ID: 8.2, OD: 15.5, T: 1	
1	5	1801005		MP BOLT, M10X1.25, L:75, 6MM HEX	15
1	7	1802000		LINK BOLT UPPER, M8 x 1, L: 58.5, 5 mm HEX	8
1	8	1802001		LINK BOLT LOWER, M8 x 1, L: 70.5, 5 mm HEX	8
2	47	1802011		WASHER ID: 8.2, OD: 13.5, T: 1	
2	6	1801007		ALTITUDE DROPOUT BOLT, M8X1.0, L:30, 6MM HEX	8
2	39	1800040		DROPOUT BEARING SLEEVE, OD:14, ID:8, T:1.8, 6061 ALU	
		<b>1812004</b>	<b>10001624</b>	<b>PIVOT BEARING KIT ELEMENT 2022</b>	
8	2	1801010		ENDURO 688 LLU MAX 16X8X5	
2	3	1807042		ENDURO 6900 2RS MAX 22X10X6	
		<b>1812005</b>	<b>10001625</b>	<b>SHOCK BOLT KIT ELEMENT 2022</b>	
1	9	1802007		SHOCK BOLT, M8x1.0, L:31.5, 5 mm HEX	8
1	10	1802008		RIDE 4 BOLT, M8 x 1, OD: 8 mm, L:56, 5 mm Hex	6
		<b>1811007</b>	<b>10001465</b>	<b>SHOCK BEARING EYELET KIT 2021</b>	
2	2	1801010		ENDURO 688 LLU MAX 16X8X5	
1	4	1807028		BEARING EYELET CENTRE SLEEVE	
2	11	1800031		BEARING EYELET FOR 16X8X5 BRG	
2	12	1800032		EYELET BEARING SPACER, T:6.3, FOR 40 MM LINK WIDTH	
		<b>1812006</b>	<b>10001626</b>	<b>BIKE PROTECTION ELEMENT 2022</b>	
1	25	3701003		CHAINSTAY PROTECTOR	
1	26	3702014		DOWNTUBE PROTECTOR	
1	28	3702021		SEATSTAY PROTECTOR TRIMMED	
		<b>1812007</b>	<b>10001627</b>	<b>AXLE KIT BOOST 12X1.0</b>	
1	1	3222000		REAR AXLE 12X1 L:173MM, HARD BLACK ANODISE	10
1	48	3227006		WASHER, 12x19x0.5MM, 304 SS	
		<b>1812008</b>	<b>10001628</b>	<b>UDH STOP SCREW</b>	
1	31	1802012		UDH STOP SCREW M4X8	2
		<b>1810022</b>	<b>10001221</b>	<b>HEAD TUBE PANEL KIT 2020</b>	
1	18	1800004		HT PLASTIC PORT COVER, M4, LEFT	
1	19	1800003		HT PLASTIC PORT COVER, M4, RIGHT	
2	32	1800024-BK		CSUNK SOCKET SCREW, M4x10mm, stainless black	<1
		<b>1812009</b>	<b>10001629</b>	<b>ADHESIVE BB PORT COVER**CARBON ONLY</b>	
1	27	3702015		BB PORT PROTECTOR, 85A	
		<b>1812010</b>	<b>10001631</b>	<b>RIDE 4 THREADED CHIP KIT</b>	
1	29	1802009		RIDE 4 CHIP, NO THREAD.	
1	30	1802010		RIDE 4 CHIP, THREADED, M8 x 1.	



Element Carbon MY17-21

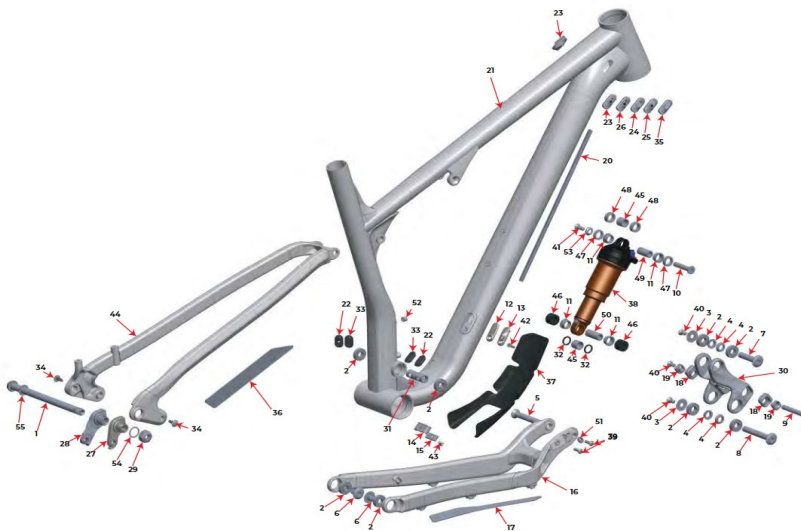
QTY	Rocky Artikeletor	BA Artikeletor	Beschreibung RM	NM
			<b>Axle kit</b>	
1	1817011	10000677		
1	3227009		REAR AXLE 12X 173MM, HARD BLACK ANO	10
1	3227006		WASHER, 12x19x0.5MM, 304 SS	
			<b>ELEMENT LINK WITH BEARING KIT</b>	
1	1819036	10001260		
1	1097180		ELEMENT LINK, AL 7075 T-6, HARD BLACK ANO	
4	1807042		ENDURO 6900 2RS MAX, 22X10X6	
			<b>HANGER KIT SHIMANO DIRECT MOUNT</b>	
1	1818012	10000895		
1	1099041		REAR DER. HANGER, EXT THREAD, SHIMANO DIRECT MOUNT	20
1	1099033		HANGER NUT, M16X1, 8MM HEX	20
1	1808039		WASHER, 16x20x0.5MM, 304 SS	
			<b>KIT STANDARD HANGER</b>	
1	1818013	10000896		
1	1099031		REAR DER. HANGER, EXT THREAD, STD MOUNT	20
1	1099033		HANGER NUT, M16X1, 8MM HEX	20
1	1808039		WASHER, 16x20x0.5MM, 304 SS	
			<b>ELEMENT PIVOT BOLT KIT</b>	
1	1819037	10001261		
2	1807043		6900 BEARING CAP, AL 7075 T-6, HARD BLACK ANO	
4	1807044		6900 BEARING SPACER	
1	1807045		BOLT C/SUNK 10*70MM, M10X1.0, AL 7075 T-6, HARD BLACK ANO	17
2	1807046		BOLT, 10MM X 15MM, M10X1 EXT., AL 7075 T-6, HARD BLACK ANO	17
1	1807047		BOLT, 10MM X 42MM, M10X1 INT., AL 7075-T6, HARD BLACK ANO	8
1	1807048		BOLT, 10MM X 67MM, M10X1 INT., AL 7075 T-6, HARD BLACK ANO	8
1	1807049		C/SUNK BOLT, 8MM X 57MM X M6 INT.	8
1	1807062		SHOCK BOLT, SOLID, OD:8MM, L:41MM	8
1	1807051		MAIN PIVOT SPACER 38.75MM	8
3	180566-012		FLAT HEAD C/SUNK SOCKET SCREW, M6-1.0 X 12mm, AA/316 SS, S5060.060.012	8
1	180566-016		FLAT HEAD C/SUNK SOCKET SCREW, M6-1.0 X 16mm, AA/316 STAINLESS STEEL	8
1	1807064		C/SUNK WASHER, (for M6 screw) ID:6 x OD:14.6 x 3.25mm THK.	
			<b>BEARING KIT</b>	
8	1807042	10001229	ENDURO 6900 2RS MAX, 22X10X6	
			<b>Protector Kit ELEMENT CARBON</b>	
1	1819024	10001182		
1	3708016		ELEMENT ALLOY CS PROTECTOR	
1	3708003		Element die-cut seatstay protector	
1	3708009		Element down tube protector	
			<b>Protector Kit ELEMENT FOR MIXED CARBON &amp; ALLOY</b>	
1	3709092	10001279		
1	3708036		ELEMENT CS PROTECTOR	
1	3708008		SEATSTAY PROTECTOR	
1	3708009		Element down tube protector	
			<b>ELEMENT HEADTUBE PANEL KIT</b>	
1	1817023	10000679		
2	1806009		FLAT HEAD C/SUNK SOCKET SCREW, M5-0.8 X 16mm, ALUMINIUM	<1
1	1097136		HT PORT PANEL, LEFT	
1	1097140		HT PORT PANEL, RIGHT	
			<b>PORT COVER KIT</b>	
1	1817024	10000680		
1	1807052		D2 BATTERY HOLDER, CABLE PORT COVER	
3	1806009		FLAT HEAD C/SUNK SOCKET SCREW, M5-0.8 X 16mm, ALUMINIUM	<1
			<b>FRONT DERAILLEUR KIT</b>	
1	1817025	10000681		
1	180472		E-TYPE FD SLOT SPACER, FOR THRU BOLT, AL6061	
2	180574-014		DOME HEAD SCREW, M5X14MM, SS	
			<b>FOX LIVE PLUG KIT</b>	
1	1810842	10001265		
1	1809003		FOX LIVE ACCELEROMETER PLUG	
1	1808057		FOX LIVE PLUG, NYLON PLASTIC, BLACK	
			<b>RIDE 9 FLIP CHIP KIT</b>	
1	1810009	10001209		
2	1807003		FLIP CHIP, OUTSIDE, AL7075, BLACK ANODIZE	
2	1807004		FLIP CHIP, INSIDE, AL7075, BLACK ANODIZE	
			<b>ELEMENT SHOCK REDUCER KIT</b>	
1	1819038	10001262		
2	1807053		SHOCK REDUCER, RIDE 9 MINI	
2	180522		RUBBER O-RING, FOR 1/2" SHOCK PIN	
			<b>WATER BOTTLE SPACER</b>	
1	1807054	10001204	WATER BOTTLE SPACER, 6MM, AL 6061 T-6, HARD BLACK ANO	
			<b>ELEMENT CARBON GROMMET AND CABLE GUIDE KIT</b>	
1	1819041	10001264		
1	156000LUM		Bolt On Cable Guide	
1	1808055		DOME HEAD SCREW, M5x8MM, ALLOY BLACK ANO	
1	1807059		SEAT TUBE GROMMET	
1	1805083		D2 PORT BLOCKOFF PLUG, JAGWIRE P/N: CCN009	
1	1807058		SEAT TUBE PLUG	



Element Alu MY22+

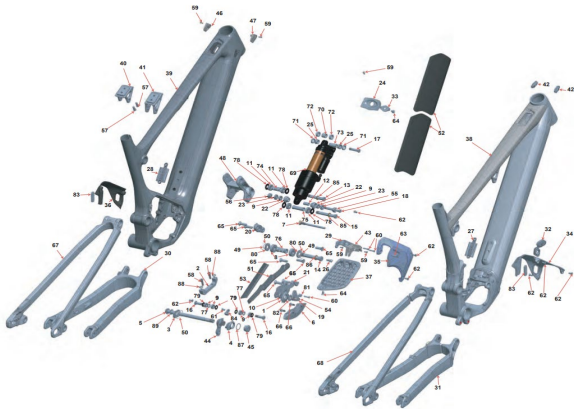
QTY	# Rocky Artikelnr.	BA Artikelnr.	Beschreibung RM	NM
			<b>2022 ELEMENT LINK 27.5" (XS)</b>	
1	20	1092001	2022 ELEMENT LINK 27.5" (XS)	
			<b>2022 ELEMENT LINK 29" (S, M, L, XL)</b>	
1	21	1092002	2022 ELEMENT LINK 29" (S, M, L, XL)	
			<b>2022 HANGER KIT 12 x1.0</b>	
1	44	1092003	MY22 REAR DER. HANGER, M12X1, UDH COMPATIBLE	
1	45	1801008	HANGER/AXLE NUT FOR UDH COMPATIBLE HANGER	
1	87	1801009	WASHER, 20X24X0.5MM, 304 SS	
			<b>PIVOT BOLT KIT ELEMENT 2022**ALLOY ONLY</b>	
1	38	1802002	SS BEARING SLEEVE, ID: 8, OD: 11.5, L: 44	
1	39	1802003	TT BEARING SLEEVE, ID: 8, OD: 11.5, L: 32.4	
1	40	1802014	MAIN PIVOT BEARING SLEEVE, OD:15, ID:10, T:37	
8	41	1800039	DO BEARING SPACER, OD:16, ID:8, T:1.5, 6061 ALU	
2	23	1802005	O-RING, 70A, ID: 9.5, T: 1.5	
2	24	1802006	O-RING, 70A, ID: 19, T: 1.5	
2	42	1802004	SEALED BEARING SPACER, ID: 10, OD: 21.5, T: 2.65	
1	43	1800019	WASHERID: 10.2, OD: 15.5, T:1	
1	5	1801005	MP BOLT, M10X1.25, L:75, 6MM HEX	15
1	7	1802000	LINK BOLT UPPER, M8 x 1, L:59.5, 5 mm HEX	8
1	8	1802001	LINK BOLT LOWER, M8 x 1, L: 70.5, 5 mm HEX	8
2	45	1802011	WASHER ID: 8.2, OD: 13.5, T: 1	
2	6	1801007	ALTITUDE DROPOUT BOLT, M8X1.0, L:30, 6MM HEX	8
2	37	1800040	DROPOUT BEARING SLEEVE, OD:14, ID:8, T:1.8, 6061 ALU	
			<b>PIVOT BEARING KIT ELEMENT 2022</b>	
8	2	1801010	ENDURO 688 LLU MAX 16X8X5	
2	3	1807042	ENDURO 6900 2RS MAX 22X10X6	
			<b>SHOCK BOLT KIT ELEMENT 2022</b>	
1	9	1802007	SHOCK BOLT, M8x1.0, L:31.5, 5 mm HEX	8
1	10	1802008	RIDE 4 BOLT, M8 x 1, OD: 8 mm, L:56, 5 mm Hex	6
			<b>SHOCK BEARING EYELET KIT 2021</b>	
2	2	1801010	ENDURO 688 LLU MAX 16X8X5	
1	4	1807028	BEARING EYELET CENTRE SLEEVE	
2	11	1800031	BEARING EYELET FOR 16X8X5 BRG	
2	12	1800032	EYELET BEARING SPACER, T:6.3, FOR 40 MM LINK WIDTH	
			<b>BIKE PROTECTION ELEMENT 2022</b>	
1	25	3701003	CHAINSTAY PROTECTOR	
1	26	3702014	DOWNTUBE PROTECTOR	
1	28	3702021	SEATSTAY PROTECTOR TRIMMED	
			<b>AXLE KIT BOOST 12X1.0</b>	
1	1	3222000	REAR AXLE 12X1 L:173MM, HARD BLACK ANODISE	10
1	48	3227006	WASHER, 12X19X0.5MM, 304 SS	
			<b>UDH STOP SCREW</b>	
1	31	1802012	UDH STOP SCREW M4X8	2
			<b>HEAD TUBE PANEL KIT 2020</b>	
1	18	1800004	HT PLASTIC PORT COVER, M4, LEFT	
1	19	1800003	HT PLASTIC PORT COVER, M4, RIGHT	
2	32	1800024-BK	CSUNK SOCKET SCREW, M4x10mm, zinc plated 10.9 steel black	<1
			<b>DT PORT &amp; ROUTING KIT**ALLOY ONLY</b>	
1	14	1095059	CABLE 3-HOLE THROUGH PLUG, RUBBER	
2	15	1992035	CABLE P CLIP, L09	
1	17	1807078	34.9MM SEAT TUBE DROPPER GROMMET	
2	31	1800024-BK	C'SUNK SOCKET SCREW, M4x10mm, zinc plated 10.9 steel black	<1
2	16	3337001	FOAM HOUSING PROTECTOR 5MMX8MM	
1	48	3337002	FOAM HOUSING PROTECT 6MMX11MM	
			<b>RIDE 4 THREADED CHIP KIT</b>	
1	29	1802009	RIDE 4 CHIP, NO THREAD.	
1	30	1802010	RIDE 4 CHIP, THREADED, M8 x 1.	





Element Alu MY17-21

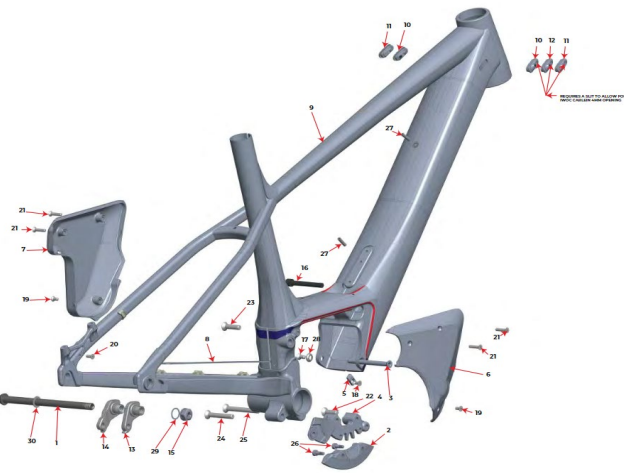
QTY	#	Rocky Artikelnr.	BA Artikelnr.	Beschreibung RM	NM
		<b>1817011</b>	<b>10000577</b>	<b>Axle kit</b>	
1	1	3227009			
1	55	3227006			
		<b>1819036</b>	<b>10001260</b>	<b>ELEMENT LINK WITH BEARING KIT</b>	
1	30	1097180			
4	2	1807042			
		<b>1818012</b>	<b>10000895</b>	<b>HANGER KIT SHIMANO DIRECT MOUNT</b>	
1	28	1099041			
1	29	1099033			20
1	54	1808029			
		<b>1818013</b>	<b>10000896</b>	<b>KIT STANDARD HANGER</b>	
1	27	1099031			
1	29	1099033			20
1	54	1808029			
		<b>1819037</b>	<b>10001261</b>	<b>ELEMENT PIVOT BOLT KIT</b>	
2	3	1807043			
4	4	1807044			
1	5	1807045			17
2	6	1807046			17
1	7	1807047			8
1	8	1807048			8
1	9	1807049			8
1	10	1807062			8
1	31	1807051			
3	40	180566-012			8
1	41	180566-016			8
1	53	1807064			
		<b>1817017</b>	<b>10001229</b>	<b>BEARING KIT</b>	
8	2	1807042			
		<b>1817022</b>	<b>10000678</b>	<b>ELEMENT ALLOY PROTECTOR KIT</b>	
1	17	3708016			
1	36	3708008			
1	37	3708022			
		<b>1817025</b>	<b>10000681</b>	<b>FRONT DERAILLEUR KIT</b>	
1	51	180473			
2	39	180574-014			
		<b>1810009</b>	<b>10001209</b>	<b>RIDE 9 FLIP CHIP KIT</b>	
2	18	1807003			
2	19	1807004			
		<b>1819038</b>	<b>10001262</b>	<b>ELEMENT SHOCK REDUCER KIT</b>	
2	46	1807053			
2	32	180522			
		<b>1818014</b>	<b>10001082</b>	<b>HEAD TUBE GROMMET KIT FOR ALLOY FRAME</b>	
2	23	1809004			
1	24	1809005			
1	25	1809006			
1	26	1809007			
1	35	1809008			
2	33	1807077			
2	22	1807078			
		<b>1818006</b>	<b>10001089</b>	<b>Alloy seat stay Cap Kit for alloy frames only</b>	
2	34	1808034			
		<b>1819014</b>	<b>10001241</b>	<b>DOWNTUBE CABLE CLAMP KIT</b>	
1	14	1807066			
1	15	1807067			
1	43	1807068			
		<b>1819039</b>	<b>10001263</b>	<b>FD PLASTIC CABLE PORT KIT</b>	
1	12	1096055			
1	13	1808025			
1	42	1805077			
		<b>1807054</b>	<b>10001204</b>	<b>WATER BOTTLE SPACER</b>	
1	52	1807054			



Instinct / Altitude Powerplay MY22+ Kettentage

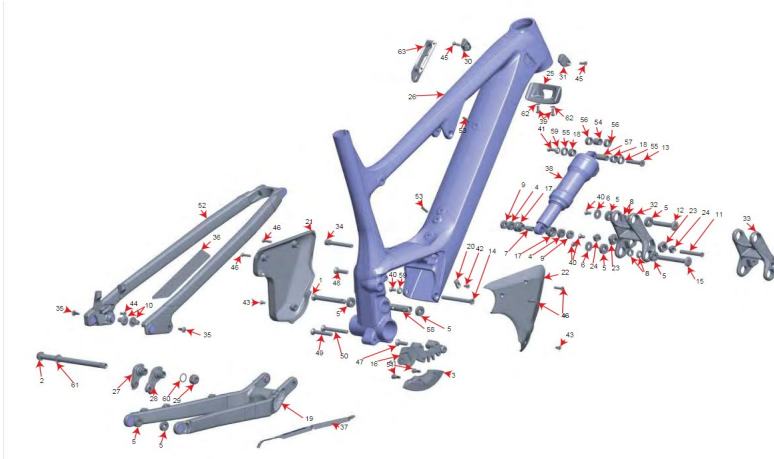
Instinct Powerplay 124 Glider Altitude Powerplay 124 Glider

QTY	Rocky Artikelnr	BA Artikelnr	Beschreibung EM	NM
1	1812035	10001512	2022 APP LINK, RIDE 4, HARD BLACK ANO	
1	0920204		2022 APP LINK, RIDE 4, HARD BLACK ANO	
1	1812002	10001621	2022 HANGER KIT 12 v1.0	
1	0920203		MY22 REAR DER. HANGER, M12X1, LHM COMPATIBLE	
1	1801008		HANGER/PALE NUT FOR LHM COMPATIBLE HANGER	
1	1801009		WASHER, 20X24X0.5MM, 304 SS	
1	1812036	10001634	PIVOT BOLT KIT ALT, INST PP 2022	
1	131	1800011	LINK BOLT, UPPER, M10X1.0, L58.5, 6MM HEX	8
1	141	1800013	MP BOLT, M12X1.25, L75, 6MM HEX	8
1	145	1801004	LINK BOLT, LOWER, M10X1.0, L39.5, 6MM HEX	8
2	135	1801007	ALTITUDE DROPOUT BOLT, M8X1.0, L30, 6MM HEX	8
1	149	1801018	O-RING, 20x 18x 1.5, T-1	
2	150	1800581	O-RING, ID: 24.5MM, W: 1.50, NITRILE	
1	274	1800008	TT BEARING SLEEVE, ID:10, OD:14, L:29	
1	285	1800010	SS BEARING SLEEVE, ID:10, OD:14, L:29, NICKED	
1	286	1800014	MP BEARING SLEEVE, OD:17, ID:10, L:35	
1	271	1800040	DROPOUT BEARING SLEEVE, OD:14, ID:10, L: 8, 6061 ALU	
1	272	1800039	LINK BEARING SPACER, OD:12, ID:12, L:15	
4	279	1800039	DO BEARING SPACER, DO:16, ID:8, T: 7.5, 6061 ALU	
1	280	1800039	BEARL BEARING SPACER, ID: 13, OD: 17.5, T: 3.45	
2	81	1800015	WASHERS: 10.2, OD: 15.5, T: 1	
1	86	1800020	WASHER: ID: 12.2, OD: 17.5, T: 1	
1	1812037	10001635	PIVOT BEARING KIT ALT, INST PP 2022	
2	8	1800021	ENDURO 6003 ALU MAX 28X1208	
1	9	1800020	ENDURO 6003 ALU MAX 28X1208	
4	111	1807042	ENDURO 6003 PMS MAX 22X1006	
1	1812038	10001636	SHOCK BOLT KIT ALT, INST PP 2022	
1	117	1801018	SHOCK BOLT, M8X1.0, L34.5, 5MM HEX	8
1	118	1801008	WIDE 4 BOLT, M8 x 1, OD: 8 mm, L:56, 5 mm Hex	
1	1812007	10001465	SHOCK BEARING EYELET KIT 2021	
1	113	1801019	ENDURO 606 ALU MAX 16085	
1	113	1801019	BEARING EYELET CENTRE SLEEVE	
2	221	1800011	BEARING EYELET FOR 16085 6061	
1	221	1800019	EYELET BEARING SPACER, T: 8, FOR 40 MAX LINK WIDTH	
1	1812007	10001627	AXLE KIT BUSH 32x1.0	
1	89	3227006	REAR AXLE 12x1.0x17MM, HARD BLACK ANODIZED	10
1	89	3227006	WASHER, 12x19x0.5MM, 304 SS	
1	1812011	10001469	AXLE FLIP CHIP KIT	
1	3	3221001	AXLE FLIP CHIP, LEFT	
1	4	3221002	AXLE FLIP CHIP, RIGHT	
1	140	1800581	O-RING, ID: 24.5MM, W: 1.50, NITRILE	
1	1812012	10001470	LHM STOPPER KIT	
1	61	180812007	C'SUNK SOCKET SCREW, M5-0.8x10mm, BLACK STAINLESS STEEL	
1	84	1801003	LHM STOPPER	
1	1812009	10001638	BRAKE ADAPTER KIT FOR 2 POSITION AXLE W/SPACERS FOR 203MM ROTORS	
1	71	1801022	BRAKE ADAPTER	
1	238	1801021	M6-1.0, 22MM LONG, SOCKET HEAD	
1	239	1801021	1.5MM THICK WASHER FOR 203 ROTORS	
1	1812015	10001472	ALTITUDE FWD SHOCK YOKE KIT	
1	40	0991002	ALTITUDE FWD SHOCK YOKE	
2	57	1801014	M5-1.0, 14MM LONG, SOCKET HEAD	
1	1811014	10001476	INSTINCT FWD SHOCK YOKE KIT	
1	41	0991003	INSTINCT FWD SHOCK YOKE	
1	239	1801014	M5-1.0, 14MM LONG, SOCKET HEAD	
1	1812002	10001221	HEAD TUBE PANEL KIT 2020	
1	44	1800004	HT PLASTIC PORT COVER, MS, LEFT	
1	43	1800001	HT PLASTIC PORT COVER, MS, RIGHT	
2	100	1800224-BK	C'SUNK SOCKET SCREW, M4x10mm, zinc plated 10.9 steel black	
1	1812039	10001519	ALLOY FRAME GROMMET KIT 2 ENTRY	
2	42	1800004	RUBBER GROMMET FOR 2 CABLES, 5mm, 4mm VF-W13.2	
1	1812040	10001640	CABLE COLLECTOR CARBON FRAME	
1	228	1992048	CABLE COLLECTOR, ABS PLASTIC, CARBON FT	
1	140	1801212	C'SUNK SOCKET SCREW, M5-0.8x12mm, STAINLESS BLACK	
1	1812041	10001641	CABLE COLLECTOR ALLOY FRAME	
1	227	1992041	CABLE COLLECTOR, ABS PLASTIC	
1	140	1801212	C'SUNK SOCKET SCREW, M5-0.8x12mm, STAINLESS BLACK	
1	1812010	10001631	RIDE 4 THREADED CHIP KIT	
1	55	1802009	RIDE 4 CHIP, NO THREAD	
1	56	1802010	RIDE 4 CHIP, THREADED, M8 x 1	
1	1812042	10001643	2022 ALT, INST PP DOWNTUBE BUMPER KIT	
1	241	3702020	2022 APP DOWNTUBE BUMPER, RUBBER, 20A	
1	151	1992007	2022 APP DOWNTUBE BUMPER CLAMPING PLATE	
3	64	1805662-12-BA	FLAT HEAD C'SUNK SOCKET SCREW, M6-1.0 X 12mm, Stainless Black	
1	1812043	10001644	2022 ALT, INST PP PROTECTION KIT	
1	137	3702017	2022 APP DOWNTUBE PROTECTOR, ABS PLASTIC	
1	64	1805662-12-BA	FLAT HEAD C'SUNK SOCKET SCREW, M6-1.0 X 12mm, Stainless Black	
1	137	3702018	CHARMSTAY PROTECTOR	
2	52	3702034	2022 APP DOWNTUBE PROTECTOR	
1	138	3702031	SEATSTAY PROTECTOR, FRAMED	
1	9997093	10001645	BASH GUARD KIT	
1	61	1992058	PMS BASH GUARD	
1	66	1807121	CUSTOM HEX SOG, HD, SHD, SCR, 303 SS, M5 x 6	
1	1812044	10001646	CHAIN GUIDE KIT PP 2022	
1	116	1807126	BOLT, M8 x 18MM CUSTOM, 6061 HARD BLACK ANO	
1	211	3992000	22 APP BASH GUARD BRACKET, 6061-T6, HARD BLACK ANO	
1	154	3992001	LOWER CHAIN GUIDE CUTTER PLATE	
1	65	1807120-20V	C'SUNK SOCKET SCREW, M8-1.25x20mm, stainless steel black	
1	66	1806011	C'SUNK SOCKET SCREW, M8x20mm, STAINLESS STEEL 316	
1	81	3992004	LOWER CHAIN GUIDE SPACER	
1	1998024	10001647	LOWER CHAIN GUIDE BAT	
1	11	1447012	11T cog, for 18mm bearing	
1	10	1807036	ENDURO 6061 L10 190x90	
1	10	1447011	CHARMSTAY PULLEY GUIDE SPACER	
1	1812045	10001648	2022 PP BATTERY BOLT	
1	27	1800201	2022 APP BATTERY BOLT, M8 THREAD, INTEGRATED WASHER	
1	1812046	10001649	2022 PP CHARGE PORT BRACKET KIT	
1	20	1992006	2022 APP CHARGE PORT BRACKET, HARD BLACK ANODIZED	
1	65	1807120-20V	C'SUNK SOCKET SCREW, M8-1.25x20mm, stainless steel black	
1	1812046	10001650	2022 PP CABLE TRAY KIT	
1	239	1992049	2022 APP CABLE TRAY, FOR CHAIN GUIDE, ABS PLASTIC	
1	239	1800014-BK	C'SUNK SOCKET SCREW, M4x10mm, zinc plated 10.9 steel black	
1	239	1992044	CABLE HOUSING CLIP FOR MAIN PORT BOLT, ABS	
1	1812047	10001651	2022 PP UPPER CHAIN GUIDE KIT	
1	41	1992050	2022 APP CHAIN GUIDE, FOR CABLE TRAY, ABS PLASTIC	
1	60	1800011	C'SUNK SOCKET SCREW, M4x20mm, STAINLESS STEEL 316	
1	1812048	10001652	2022 PP CHARGE PORT RUBBER DOOR	
1	33	1992014	CHARGE PORT RUBBER DOOR	
1	1812049	10001653	2022 PP DRIVE SIDE COVER KIT	
1	135	1992010	2022 APP/PP DRIVE SIDE COVER, PLASTIC	
1	63	1807152	C'SUNK SOCKET SCREW, M5-0.8x12mm, STAINLESS BLACK	
1	63	1807152	C'SUNK SOCKET SCREW, M5-0.8x12mm, STAINLESS BLACK	
1	63	1807152	C'SUNK SOCKET SCREW, M5-0.8x12mm, STAINLESS BLACK	
1	1812050	10001654	2022 MOTOR NDS COVER KIT ALTITUDE PPLV 1 CBN C1	
1	36	1992013-01	22 MOTOR NDS COVER ALTITUDE PPLV 2 CBN C1	
1	62	1807152	C'SUNK SOCKET SCREW, M5-0.8x12mm, STAINLESS BLACK	
1	83	3992001	FOAM TAPE FOR BRIDGE COVER	
1	1812051	10001655	2022 MOTOR NDS COVER KIT ALTITUDE PPLV 2 CBN C2	
1	36	1992013-01	22 MOTOR NDS COVER ALTITUDE PPLV 2 CBN C2	
1	62	1807152	C'SUNK SOCKET SCREW, M5-0.8x12mm, STAINLESS BLACK	
1	83	3992001	FOAM TAPE FOR BRIDGE COVER	
1	1812052	10001656	2022 MOTOR NDS COVER KIT INSTINCT PPLV 2 CBN C1	
1	36	1992013-01	22 MOTOR NDS COVER INSTINCT PPLV 2 CBN C1	
1	62	1807152	C'SUNK SOCKET SCREW, M5-0.8x12mm, STAINLESS BLACK	
1	1812053	10001657	2022 MOTOR NDS COVER KIT INSTINCT PPLV 2 CBN C2	
1	36	1992013-01	22 MOTOR NDS COVER INSTINCT PPLV 2 CBN C2	
1	62	1807152	C'SUNK SOCKET SCREW, M5-0.8x12mm, STAINLESS BLACK	
1	83	3992001	FOAM TAPE FOR BRIDGE COVER	
1	1812054	10001658	2022 PP NDS COVER KIT ALTITUDE ALLOY FRAME C1	
1	241	1992058-01	22 MOTOR BRIDGE COVER ALTITUDE PPLV 2 ALU C1	
1	62	1807152	C'SUNK SOCKET SCREW, M5-0.8x12mm, STAINLESS BLACK	
1	83	3992001	FOAM TAPE FOR BRIDGE COVER	
1	1812055	10001659	2022 PP NDS COVER KIT ALTITUDE ALLOY FRAME C2	
1	241	1992058-02	22 MOTOR BRIDGE COVER ALTITUDE PPLV 2 ALU C2	
1	62	1807152	C'SUNK SOCKET SCREW, M5-0.8x12mm, STAINLESS BLACK	
1	83	3992001	FOAM TAPE FOR BRIDGE COVER	
1	1812056	10001660	2022 PP NDS COVER KIT INSTINCT ALLOY FRAME C1	
1	34	1992058-04	22 MOTOR BRIDGE COVER INSTINCT PPLV 2 ALU C1	
1	62	1807152	C'SUNK SOCKET SCREW, M5-0.8x12mm, STAINLESS BLACK	
1	83	3992001	FOAM TAPE FOR BRIDGE COVER	
1	1812057	10001661	2022 PP NDS COVER KIT INSTINCT ALLOY FRAME C2	
1	34	1992058-05	22 MOTOR BRIDGE COVER INSTINCT PPLV 2 ALU C2	
1	62	1807152	C'SUNK SOCKET SCREW, M5-0.8x12mm, STAINLESS BLACK	
1	83	3992001	FOAM TAPE FOR BRIDGE COVER	
1	1812058	10001662	2022 PP FRAME HARDWARE (MOTOR)	
1	63	1807120-20V	C'SUNK SOCKET SCREW, M8-1.25x20mm, stainless steel black	



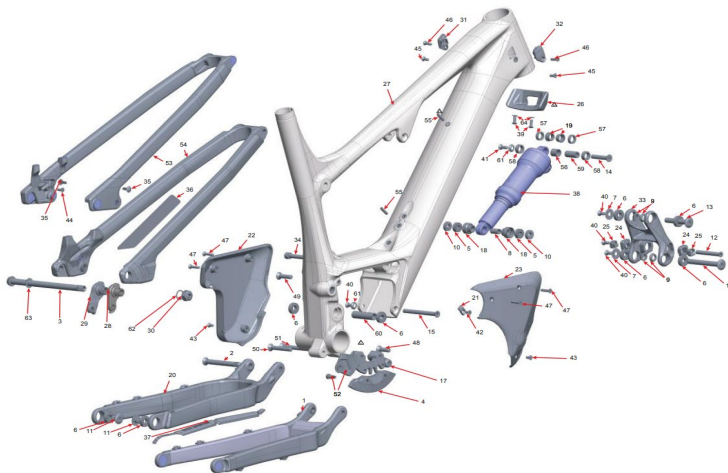
Kettenlänge  
Growler Powerplay 126 Glieder  
Growler Powerplay MY15-22

QTY	#	Rocky Artikelnr.	BA Artikelnr.	Beschreibung RM
		<b>1818012</b>	<b>10000895</b>	<b>HANGER KIT SHIMANO DIRECT MOUNT</b>
1	14	1099041		REAR DER. HANGER, EXT THREAD, SHIMANO DIRECT MOUNT
1	15	1099033		HANGER NUT, M16X1, 8MM HEX
1	29	1808029		WASHER, 16x20x0.5MM, 304 SS
		<b>1818013</b>	<b>Trailleur Hanger</b>	<b>KIT STANDARD HANGER</b>
1	13	1099031		REAR DER. HANGER, EXT THREAD, STD MOUNT
1	15	1099033		HANGER NUT, M16X1, 8MM HEX
1	29	1808029		WASHER, 16x20x0.5MM, 304 SS
		<b>1817011</b>	<b>10000677</b>	<b>AXLE KIT BOOST</b>
1	1	3227009		REAR AXLE 12X 173MM, HARD BLACK ANO
1	30	3227005		WASHER, 12x19x0.5MM, 304 SS
		<b>1998063</b>	<b>10000742</b>	<b>Side cover kit right</b>
1	7	1997017		POWERPLAY MOTOR COVER, RIGHT
1	19	1808152		C'SUNK SOCKET SCREW, M5-0.8x10MM, BLACK STAINLESS STEEL
2	21	1808137		C'SUNK SOCKET SCREW, M5-0.8x22MM, BLACK STAINLESS STEEL
		<b>1998062</b>	<b>10000743</b>	<b>Side cover kit left</b>
1	6	1997019		POWERPLAY MOTOR COVER, LEFT
1	19	1808152		C'SUNK SOCKET SCREW, M5-0.8x10MM, BLACK STAINLESS STEEL
2	21	1808137		C'SUNK SOCKET SCREW, M5-0.8x22MM, BLACK STAINLESS STEEL
		<b>1997093</b>	<b>10001645</b>	<b>Bash Guard Kit</b>
1	2	1997058		RMB BASH GUARD
2	26	1807125		CUSTOM HEX SOC. HD. SHLD. SCR., 303 SS, M5 6x8
		<b>1818009</b>	<b>10001234</b>	<b>Side Cover Bolt Kit</b>
2	10	1808152		C'SUNK SOCKET SCREW, M5-0.8x10MM, BLACK STAINLESS STEEL
4	21	1808137		C'SUNK SOCKET SCREW, M5-0.8x22MM, BLACK STAINLESS STEEL
		<b>1819030</b>	<b>10001254</b>	<b>GROMMET KIT FOR ALLOY POWERPLAY</b>
2	10	1809004		RUBBER GROMMET FOR 2 CABLES, 5mm, 4mm YF-W13-2
2	11	1809005		RUBBER GROMMET FOR 1 CABLE 4mm YF-W13-4
1	12	1809007		RUBBER GROMMET FOR 2 CABLES, 5mm, 5mm YF-W13-8
		<b>3707002</b>	<b>10001276</b>	<b>CHAINSTAY PROTECTOR</b>
1	8	3707002		SUZI-Q MSL CHAIN STAY PROTECTOR, 3M 2228 TAPE
		<b>1819032</b>	<b>10001256</b>	<b>FRAME HARDWARE (BATTERY)</b>
1	3	1807127		E-MTB BATTERY BOLT, 8MM x 81MM, AL7075-T6 HARD BLACK ANO
1	17	180566-012		FLAT HEAD C'SUNK SOCKET SCREW, M6-1.0 x 12mm, A4/316 SS, S5060/060/012
1	27	1810025		POWERPLAY BATTERY NYLON SET SCREW KIT
1	28	1807064		C'SUNK WASHER, (for M6 screw) ID:6 x OD:14.6 x 3.25mm THK.
		<b>1819033</b>	<b>10001257</b>	<b>FRAME HARDWARE (MOTOR)</b>
1	16	1808023		SOCKET HEAD CAP SCREW, M8X60, stainless steel
1	20	1807152		C'SUNK SOCKET SCREW, M5-0.8x12mm, stainless steel
1	23	1807121		C'SUNK SOCKET SCREW, M8-1.25x30mm, stainless steel
1	25	1807122		C'SUNK SOCKET SCREW, M8-1.25x50mm, stainless steel
		<b>1819034</b>	<b>10001258</b>	<b>CHAIN GUIDE KIT</b>
1	4	3399001		LOWER CHAIN GUIDE 34T
1	22	1807123		C'SUNK SOCKET SCREW, M8-1.25x25mm, stainless steel
1	24	1807124		C'SUNK SOCKET SCREW, M8-1.25x50mm, stainless steel
		<b>1819035</b>	<b>10001259</b>	<b>MOTOR CABLE CLAMP KIT DRIVE SIDE</b>
1	5	1997081		CABLE CLAMP, M5 C'SUNK, AL6061-T6, HARD BLACK ANO.
1	19	180475-010		C'SUNK SOCKET SCREW, M5-0.8x10mm, zinc plated 10-9 steel
		<b>1810025</b>	<b>10001447</b>	<b>POWERPLAY BATTERY NYLON SET SCREW KIT</b>
1	27	1810025		POWERPLAY BATTERY NYLON SET SCREW KIT



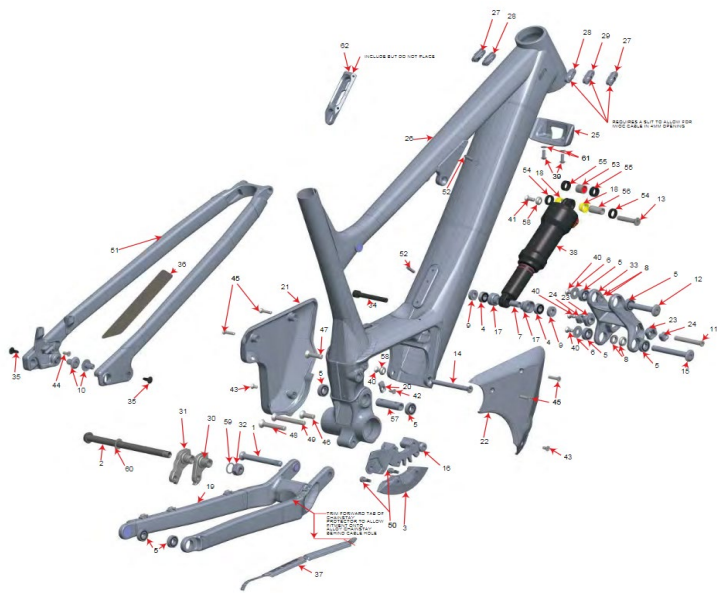
Instinct Carbon Powerplay MY20-21

QTY	#	Rocky ArtikeInr.	BA ArtikeInr.	Beschreibung BM
		<b>1819015</b>	<b>10001242</b>	<b>INSTINCT LINK WITH BEARING KIT</b>
1	32	1098101		INSTINCT LINK, 88MM LONG, RIDE9, AL7075-T6, HARD BLACK ANO
4	5	1807042		ENDURO BEARING 6900 2RS MAX TYPE, 22X10X6 SIZE
		<b>1819016</b>	<b>10001243</b>	<b>INSTINCT BC LINK WITH BEARING KIT</b>
1	33	1098102		INSTINCT BC LINK, 88MM LONG, AL7075-T6, HARD BLACK ANO
4	5	1807042		ENDURO BEARING 6900 2RS MAX TYPE, 22X10X6 SIZE
		<b>1818012</b>	<b>10000895</b>	<b>HANGER KIT SHIMANO DIRECT MOUNT</b>
1	28	1099041		REAR DER. HANGER, EXT THREAD, SHIMANO DIRECT MOUNT
1	29	1099033		HANGER NUT, M16X1, 8MM HEX
1	60	1808029		WASHER, 16x20x0.5MM, 304 SS
		<b>1818013</b>	<b>10000896</b>	<b>KIT STANDARD HANGER</b>
1	27	1099031		REAR DER. HANGER, EXT THREAD, STD MOUNT
1	29	1099033		HANGER NUT, M16X1, 8MM HEX
1	60	1808029		WASHER, 16x20x0.5MM, 304 SS
		<b>1810005</b>	<b>10001207</b>	<b>PIVOT BOLT KIT</b>
1	1	1807029		MP AXLE, M10x1.25, L84mm, AL7075-T6 HARD BLACK ANO
2	6	1807043		6900 BEARING CAP, AL 7075-T6, HARD BLACK ANO
4	8	1807044		6900 BEARING SPACER
2	10	1807046		BOLT, 10MM X 15MM, M10X1 EXT., AL 7075-T6 HARD BLACK ANO
1	11	1807049		C/SUNK BOLT, 8MM X 57MM X M6 INT.
1	12	1807050		BOLT, 10MM X 54MM, M6X1 INT., AL 7075-T6, HARD BLACK ANO
1	15	1807061		BOLT, 10MM X 78MM, M6X1 INT., AL 7075-T6, HARD BLACK ANO
4	40	180566-012		FLAT HEAD C/SUNK SOCKET SCREW, M6-1.0 X 12mm, A4/316 SS, S5060.060.012
2	59	1807054		C/SUNK WASHER, (for M5 screw) ID:6 x OD:14.6 x 3.25mm THK.
1	41	180566-016		FLAT HEAD C/SUNK SOCKET SCREW, M6-1.0 X 16mm, A4/316 STAINLESS STEEL
1	13	1807052		SHOCK BOLT, SOLID, OD:8MM, L:41MM
1	58	1807038		MAIN PIVOT CENTER SPACER, ID:10, L:48
		<b>1819029</b>	<b>10001253</b>	<b>POWERPLAY PROTECTION KIT</b>
1	36	3708008		SEATSTAY PROTECTOR
1	37	3708036		MULTI-BIKE CHAINSTAY PROTECTOR
		<b>1817011</b>	<b>10000677</b>	<b>AXLE KIT BOOST</b>
1	2	3227009		REAR AXLE 12X173MM, HARD BLACK ANO
1	61	3227006		WASHER, 12x19x0.5MM, 304 SS
		<b>1818003</b>	<b>10000972</b>	<b>SHOCK BEARING EYELET KIT</b>
2	4	1807036		ENDURO 698 LLU MAX 15X8X6
1	7	1807028		BEARING EYELET SLEEVE FOR SR 15X8X6 CLIP
2	9	1807099		EYELET BEARING SPACER, 5.3MM THK, FOR 40MM LINK WIDTH
7	17	1807026		BEARING EYELET FOR SR 15X8X6 BRG.
		<b>1817017</b>	<b>10001229</b>	<b>PIVOT BEARING KIT</b>
8	5	1807042		ENDURO BEARING 6900 2RS MAX TYPE, 22X10X6 SIZE
		<b>1817023</b>	<b>10000679</b>	<b>HEAD TUBE PANEL KIT</b>
1	30	1097136		HT PORT PANEL, LEFT
1	31	1097140		HT PORT PANEL, RIGHT
2	45	1806009		C/SUNK SOCKET SCREW, M5x16mm, AL6061-T6, HARD BLACK ANO
		<b>1810009</b>	<b>10001209</b>	<b>RIDE 9 FLIP CHIP KIT</b>
2	23	1807003		FLIP CHIP, OUTSIDE, AL7075, BLACK ANODIZE.
2	24	1807004		FLIP CHIP, INSIDE, AL7075, BLACK ANODIZE.
		<b>1998063</b>	<b>10000742</b>	<b>SIDE MOTOR COVER KIT RIGHT</b>
1	22	1997017		POWERPLAY MOTOR COVER, RIGHT
1	43	1808152		C/SUNK SOCKET SCREW, M5-0.8x10MM, BLACK STAINLESS STEEL
2	46	1808137		C/SUNK SOCKET SCREW, M5-0.8x22MM, BLACK STAINLESS STEEL
		<b>1998062</b>	<b>10000743</b>	<b>SIDE MOTOR COVER KIT LEFT</b>
1	21	1997019		POWERPLAY MOTOR COVER, LEFT
1	43	1808152		C/SUNK SOCKET SCREW, M5-0.8x10MM, BLACK STAINLESS STEEL
2	46	1808137		C/SUNK SOCKET SCREW, M5-0.8x22MM, BLACK STAINLESS STEEL
		<b>1997093</b>	<b>10001645</b>	<b>Bash Guard Kit</b>
1	3	1997058		RMB BASH GUARD
2	51	1807125		CUSTOM HEX SOC., HD. SHLD. SCR., 303 SS, M5 6x8
		<b>1818009</b>	<b>10001234</b>	<b>MOTOR COVER BOLT KIT</b>
2	43	1808152		C/SUNK SOCKET SCREW, M5-0.8x10MM, BLACK STAINLESS STEEL
4	46	1808137		C/SUNK SOCKET SCREW, M5-0.8x22MM, BLACK STAINLESS STEEL
		<b>1819031</b>	<b>10001255</b>	<b>POWERPLAY RUBBER BUMPER KIT</b>
1	25	1999008		POWERPLAY RUBBER BUMPER
2	62	1809013		WASHER, 5 X 10 X 1MM, STAINLESS STEEL
2	39	180574-014		DOME HEAD SCREW, M5X14MM, SS
		<b>1819032</b>	<b>10001256</b>	<b>FRAME HARDWARE (BATTERY)</b>
1	14	1807127		E-MTB BATTERY BOLT, 8MM x 81MM, AL7075-T6 HARD BLACK ANO
1	40	180566-012		FLAT HEAD C/SUNK SOCKET SCREW, M6-1.0 X 12mm, A4/316 SS, S5060.060.012
1	53	1810025		POWERPLAY BATTERY NYLON SET SCREW KIT
1	58	1807064		C/SUNK WASHER, (for M6 screw) ID:6 x OD:14.6 x 3.25mm THK.
		<b>1819033</b>	<b>10001257</b>	<b>FRAME HARDWARE (MOTOR)</b>
1	34	1808023		SOCKET HEAD CAP SCREW, M8X60, stainless steel
1	44	1807153		C/SUNK SOCKET SCREW, M5-0.8x12mm, stainless steel
1	48	1807121		C/SUNK SOCKET SCREW, M8-1.25x30mm, stainless steel
1	50	1807122		C/SUNK SOCKET SCREW, M8-1.25x65mm, stainless steel
		<b>1819034</b>	<b>10001258</b>	<b>CHAIN GUIDE KIT</b>
1	16	3399001		LOWER CHAIN GUIDE 34T
1	47	1807123		C/SUNK SOCKET SCREW, M8-1.25x25mm, stainless steel
1	49	1807124		C/SUNK SOCKET SCREW, M8-1.25x50mm, stainless steel
		<b>1819035</b>	<b>10001259</b>	<b>MOTOR CABLE CLAMP KIT DRIVE SIDE</b>
1	20	1997081		CABLE CLAMP, M5 CSUNK, AL6061-T6, HARD BLACK ANO.
1	39	180475-010		C/SUNK SOCKET SCREW, M5-0.8x10mm, zinc plated 10.9 steel
		<b>1809012</b>	<b>10001205</b>	<b>OFFSIDE WATER BOTTLE ADAPTER, USES M5X14MM BOLTS</b>
1	63	1809012		OFFSIDE WATER BOTTLE ADAPTER, USES M5X14MM BOLTS
		<b>1810025</b>	<b>10001447</b>	<b>POWERPLAY BATTERY NYLON SET SCREW KIT</b>
1	53	1810025		POWERPLAY BATTERY NYLON SET SCREW KIT



Altitude Carbon Powerplay MY18-21

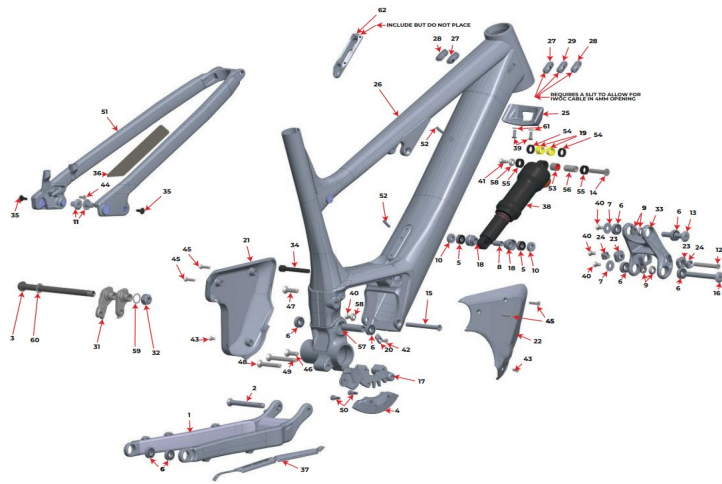
QTY	Rocky Art.Nr.	Rocky Art.Nr.	Beschreibung EM	Nr
	<b>1810004</b>	<b>10001206</b>	<b>ALTTITUDE LINK WITH BEARING KIT</b>	
1	1097182		ALTTITUDE LINK, 85MM LONG, RIDER, AL7075-T6, HARD BLACK ANO	
8	1807042		ENDURO BEARING 6900 2RS MAX TYP, 22X10MM SIZE	
	<b>1818012</b>	<b>10000895</b>	<b>HANGER KIT SHIMANO DIRECT MOUNT</b>	
1	1099041		REAR DER. HANGER, EXT. THREAD, SHIMANO DIRECT MOUNT	
1	1099033		HANGER NUT, M16X1, 8 MM HEX	
1	1808029		WASHER, 16 X 20 X 0.5 MM, 304 SS	
	<b>1818016</b>	<b>10000896</b>	<b>KIT STANDARD HANGER</b>	
1	1099031		REAR DER. HANGER, EXT. THREAD, STD MOUNT	
1	1099033		HANGER NUT, M16X1, 8 MM HEX	
1	1808029		WASHER, 16 X 20 X 0.5 MM, 304 SS	
	<b>1810005</b>	<b>10001207</b>	<b>PIVOT BOLT KIT</b>	
1	1807029		MP AXLE, M10X1.25, L 84 MM, AL 7075-T6 HARD BLACK ANO	17
2	1807043		6900 BEARING CUP, AL 7075-T6, HARD BLACK ANO	
4	1807044		6900 BEARING SPACER	
1	1807046		BOLT, 10 X 15 MM, M10X1 EXT., AL 7075-T6 HARD BLACK ANO	17
1	1807049		C/SUNK BOLT, R 8 X 57 MM X MS INT.	8
1	1807050		BOLT, 10 X 24 MM, M8X1 INT., AL 7075-T6 HARD BLACK ANO	8
1	1807061		BOLT, 10 X 78 MM, M8X1 INT., AL 7075-T6 HARD BLACK ANO	8
3	180566-012 FBY		FLAT HEAD C/SUNK SOCKET SCREW, M6-1.0 X 12 MM, A4/316 SS, 55060 060 D12	
1	1807064		C/SUNK WASHER, (FOR MS SCREW) ID: 6 X DD: 14 X 9.25 MM THK	
1	180566-016		FLAT HEAD C/SUNK SOCKET SCREW, M6-1.0 X 14 MM, A4/316 STAINLESS STEEL	
1	1807062		SHOCK BOLT, SOLID, DD: 8 MM, L: 41 MM	8
1	1807038		MAIN PIVOT CENTER SPACER, ID: 10 MM, L: 48 MM	
	<b>1819029</b>	<b>10001253</b>	<b>POWERPLAY PROTECTION KIT</b>	
1	3708008		SEATSTAY PROTECTOR	
1	3708035		MULTI-BIKE CHAINSTAY PROTECTOR	
	<b>18170118MB</b>	<b>10000677</b>	<b>AXLE KIT</b>	
1	3727009		REAR AXLE, 1.2 X 173 MM, HARD BLACK ANO	
1	3727006		WASHER, 12 X 19 X 0.5 MM, 304 SS	
	<b>1818003</b>	<b>10001465</b>	<b>SHOCK BEARING EYELET KIT</b>	
2	1807036		ENDURO 698 LLU MAX 19 X 8 X 6	
1	1807028		BEARING EYELET SLEEVE FOR 19 X 8 X 6 CLIP	
2	1807009		EYELET BEARING SPACER, 5.3 MM THK, FOR 40 MM LINK WIDTH	
2	1807036		BEARING EYELET FOR 19 X 8 X 6 BRG	
	<b>18187033</b>	<b>10000679</b>	<b>HEAD-TUBE PANEL KIT</b>	
1	1097136		HT PORT PANEL, LEFT	
1	1097140		HT PORT PANEL, RIGHT	
1	1806009		FLAT HEAD C/SUNK SOCKET SCREW, M5-0.8 X 16 MM, ALUMINUM	
	<b>1810009</b>	<b>10001209</b>	<b>RIDE 3 FLIP CHIP KIT</b>	
2	1807003		FLIP CHIP, OUTSIDE, AL 7075, BLACK ANODIZE	
2	1807004		FLIP CHIP, INSIDE, AL 7075, BLACK ANODIZE	
	<b>1998063</b>	<b>10000742</b>	<b>SIDE MOTOR COVER KIT RIGHT</b>	
1	1807017		POWERPLAY MOTOR COVER, RIGHT	
1	1808152		C/SUNK SOCKET SCREW, M5-0.8x10MM, BLACK STAINLESS STEEL	
2	1808137		C/SUNK SOCKET SCREW, M5-0.8x7MM, BLACK STAINLESS STEEL	
	<b>1998062</b>	<b>10000743</b>	<b>SIDE MOTOR COVER KIT LEFT</b>	
1	1997019		POWERPLAY MOTOR COVER, LEFT	
1	1808152		C/SUNK SOCKET SCREW, M5-0.8x10MM, BLACK STAINLESS STEEL	
2	1808137		C/SUNK SOCKET SCREW, M5-0.8x7MM, BLACK STAINLESS STEEL	
	<b>1997093</b>	<b>10001645</b>	<b>BASH GUARD KIT</b>	
2	1808152		RMB BASH GUARD	
4	1808137		CUSTOM HEX SOC. HD. SHLD. SCR., 303 SS, M5 6x8	
	<b>1819031</b>	<b>10001255</b>	<b>POWERPLAY RUBBER BUMPER KIT</b>	
1	1099008		POWERPLAY RUBBER BUMPER	
2	1806011		WASHER, 5 X 10 X 1MM, STAINLESS STEEL	
2	180574-014		DOME HEAD SCREW, M5X14MM, SS	
	<b>1819032</b>	<b>10001256</b>	<b>FRAME HARDWARE (BATTERY)</b>	
1	1807137		E-MTB BATTERY BOLT, 8MM X 81MM, AL 7075-T6 HARD BLACK ANO	
1	180566-012		FLAT HEAD C/SUNK SOCKET SCREW, M6-1.0 X 12mm, A4/316 SS, 55060 060 D12	4
1	1810005		POWERPLAY BATTERY NYLON SET SCREW KIT	
1	1807064		C/SUNK WASHER, (FOR MS SCREW) ID: 6 X DD: 14 X 9.25mm THK	
	<b>1819033</b>	<b>10001257</b>	<b>FRAME HARDWARE (MOTION)</b>	
1	1808029		SOCKET HEAD CAP SCREW, M6x80, stainless steel	1, 10 2, 14
1	1807152		C/SUNK SOCKET SCREW, M5-0.8x23mm, stainless steel	1, 10 2, 14
1	1807131		C/SUNK SOCKET SCREW, M6-1.25x30mm, stainless steel	1, 10 2, 14
1	1807132		C/SUNK SOCKET SCREW, M6-1.25x65mm, stainless steel	1, 10 2, 14
	<b>1819034</b>	<b>10001258</b>	<b>CHAIN GUIDE KIT</b>	
1	3399001		LOWER CHAIN GUIDE 34T	
1	1807152		C/SUNK SOCKET SCREW, M5-0.8x10MM, BLACK STAINLESS STEEL	
1	1807131		C/SUNK SOCKET SCREW, M6-1.25x30mm, stainless steel	
1	1807132		C/SUNK SOCKET SCREW, M6-1.25x65mm, stainless steel	
	<b>1810025</b>	<b>10001447</b>	<b>POWERPLAY BATTERY NYLON SET SCREW KIT</b>	
1	1810025		POWERPLAY BATTERY NYLON SET SCREW KIT	
	<b>1819035</b>	<b>10001259</b>	<b>MOTOR CABLE CLAMP KIT DRIVE SIDE</b>	
1	1997081		CABLE CLAMP, MS C/SUNK, AL6061-T6, HARD BLACK ANO	
1	180475-010		C/SUNK SOCKET SCREW, M5-0.8x10mm, zinc plated 10-3 steel	
	<b>1812017</b>	<b>10001228</b>	<b>PIVOT BEARING KIT</b>	
8	1807042		ENDURO BEARING 6900 2RS MAX TYP, 22X10MM SIZE	
	<b>1818009</b>	<b>10001234</b>	<b>MOTOR COVER BOLT KIT</b>	
2	1808152		C/SUNK SOCKET SCREW, M5-0.8x10MM, BLACK STAINLESS STEEL	
1	1808137		C/SUNK SOCKET SCREW, M5-0.8x7MM, BLACK STAINLESS STEEL	
	<b>1997093</b>	<b>10001645</b>	<b>RMB Bash Guard Kit</b>	
1	1997058		RMB BASH GUARD	
2	1807125		CUSTOM HEX SOC. HD. SHLD. SCR., 303 SS, M5 6x8	



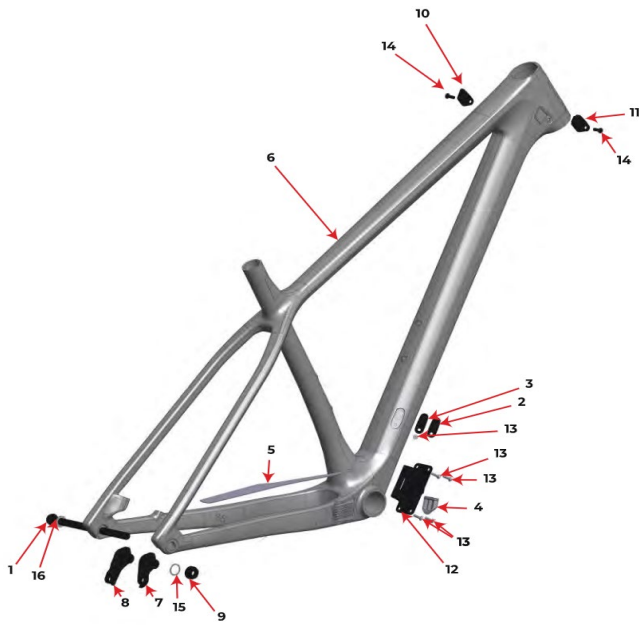
Instinct Powerplay Alu MY19-21

QTY	Rocky Artikelnr.	BA Artikelnr.	Beschreibung RM
	<b>1819015</b>	<b>10001242</b>	<b>INSTINCT LINK WITH BEARING KIT</b>
1	1098101		INSTINCT LINK, 88MM LONG, RIDE9, AL7075-T6, HARD BLACK ANO
4	1807042		ENDURO BEARING 6900 2RS MAX TYPE, 22X10X6 SIZE
	<b>1819016</b>	<b>10001243</b>	<b>INSTINCT BC LINK WITH BEARING KIT</b>
1	1098102		INSTINCT BC LINK, 88MM LONG, AL7075-T6, HARD BLACK ANO
4	1807042		ENDURO BEARING 6900 2RS MAX TYPE, 22X10X6 SIZE
	<b>1818012</b>	<b>10000895</b>	<b>HANGER KIT SHIMANO DIRECT MOUNT</b>
1	1099041		REAR DER. HANGER, EXT THREAD, SHIMANO DIRECT MOUNT
1	1099033		HANGER NUT, M16X1, 8MM HEX
1	1808029		WASHER, 16x20x0.5MM, 304 SS
	<b>1818013</b>	<b>10000896</b>	<b>KIT STANDARD HANGER</b>
1	1099031		REAR DER. HANGER, EXT THREAD, STD MOUNT
1	1099033		HANGER NUT, M16X1, 8MM HEX
1	1808029		WASHER, 16x20x0.5MM, 304 SS
	<b>1810005</b>	<b>10001207</b>	<b>PIVOT BOLT KIT</b>
1	1807029		MP AXLE, M10X1.25, L=84mm, AL7075-T6 HARD BLACK ANO
2	1807043		6900 BEARING CAP, AL 7075 T-6, HARD BLACK ANO
4	1807044		6900 BEARING SPACER
2	1807046		BOLT, 10MM X 15MM, M10X1, EXT., AL 7075 T-6, HARD BLACK ANO
1	1807049		C'SUNK BOLT, 8MM X 57MM X M6 INT.
1	1807060		BOLT, 10MM X 54MM, M6X1 INT., AL 7075 T-6, HARD BLACK ANO
1	1807061		BOLT, 10MM X 78MM, M6X1 INT., AL 7075 T-6, HARD BLACK ANO
4	180566-012		FLAT HEAD C'SUNK SOCKET SCREW, M6-1.0 X 12mm, A4/316 SS, S5060.060.012
2	1807064		C'SUNK WASHER: (for M6 screw) ID:6 x OD:14.6 x 3.25mm THK.
1	180566-016		FLAT HEAD C'SUNK SOCKET SCREW, M6-1.0 X 16mm, A4/316 STAINLESS STEEL
1	1807062		SHOCK BOLT, SOLID, OD:8MM, L:41MM
1	1807038		MAIN PIVOT CENTER SPACER, ID:10, L:48
	<b>1819029</b>	<b>10001253</b>	<b>POWERPLAY PROTECTION KIT</b>
1	3708008		SEATSTAY PROTECTOR
1	3708035		MULTIBIKE CHAINSTAY PROTECTOR
	<b>1817011</b>	<b>10000677</b>	<b>AXLE KIT BOOST</b>
1	3227009		REAR AXLE 12X 173MM, HARD BLACK ANO
1	3227006		WASHER, 12x19x0.5MM, 304 SS
	<b>1818003</b>	<b>10001465</b>	<b>SHOCK BEARING EYELET KIT</b>
2	1807036		ENDURO 698 LLU MAX 19X8X6
1	1807038		BEARING EYELET SLEEVE FOR SR 19X8X6 CLIP
2	1807099		EYELET BEARING SPACER, 5.3MM THK, FOR 40MM LINK WIDTH
2	1807026		BEARING EYELET FOR SR 19X8X6 BRG
	<b>1817017</b>	<b>10001229</b>	<b>PIVOT BEARING KIT</b>
8	1807042		ENDURO BEARING 6900 2RS MAX TYPE, 22X10X6 SIZE
	<b>1810009</b>	<b>10001209</b>	<b>RIDE 9 FLIP CHIP KIT</b>
2	1807003		FLIP CHIP, OUTSIDE, AL7075, BLACK ANODIZE.
2	1807004		FLIP CHIP, INSIDE, AL7075, BLACK ANODIZE.
	<b>1998063</b>	<b>10000742</b>	<b>Side cover kit right</b>
1	1997017		POWERPLAY MOTOR COVER, RIGHT
1	1808152		C'SUNK SOCKET SCREW, M5-0.8x10MM, BLACK STAINLESS STEEL
2	1808137		C'SUNK SOCKET SCREW, M5-0.8x22MM, BLACK STAINLESS STEEL
	<b>1998062</b>	<b>10000743</b>	<b>Side cover kit left</b>
1	1997019		POWERPLAY MOTOR COVER, LEFT
1	1808152		C'SUNK SOCKET SCREW, M5-0.8x10MM, BLACK STAINLESS STEEL
2	1808137		C'SUNK SOCKET SCREW, M5-0.8x22MM, BLACK STAINLESS STEEL
	<b>1997093</b>	<b>10001645</b>	<b>Bash Guard Kit</b>
1	1997058		RMB BASH GUARD
2	1807125		CUSTOM HEX SOC. HD. SHLD. SCR., 303 SS, M5 6x8
	<b>1818009</b>	<b>10001234</b>	<b>Side Cover bolt kit</b>
2	1808152		C'SUNK SOCKET SCREW, M5-0.8x10MM, BLACK STAINLESS STEEL
4	1808137		C'SUNK SOCKET SCREW, M5-0.8x22MM, BLACK STAINLESS STEEL
	<b>1819030</b>	<b>10001254</b>	<b>GROMMET KIT FOR ALLOY POWERPLAY</b>
2	1809004		RUBBER GROMMET FOR 2 CABLES, 5mm, 4mm YF-W13-2
2	1809005		RUBBER GROMMET FOR 1 CABLE 4mm YF-W13-4
1	1809007		RUBBER GROMMET FOR 2 CABLES, 5mm, 5mm YF-W13-8
	<b>1810030</b>	<b>10001255</b>	<b>Alloy seat stay Cap Kit for alloy frames only</b>
2	1808034		PLASTIC PLUG FOR M5 THREAD, 12MM BUTTON HEAD, BLACK PLASTIC
	<b>1819031</b>	<b>10001255</b>	<b>POWERPLAY RUBBER BUMPER KIT</b>
1	1999008		POWERPLAY RUBBER BUMPER
2	1809013		WASHER, 5 X 10 X 1MM, STAINLESS STEEL
2	180574-014		DOME HEAD SCREW, MSX14MM, SS
	<b>1819032</b>	<b>10001256</b>	<b>FRAME HARDWARE (BATTERY)</b>
1	1807127		E-MTB BATTERY BOLT, 8MM x 81MM, AL7075-T6 HARD BLACK ANO
1	180566-012		FLAT HEAD C'SUNK SOCKET SCREW, M6-1.0 X 12mm, A4/316 SS, S5060.060.012
1	1810025		POWERPLAY BATTERY NYLON SET SCREW KIT
1	1807064		C'SUNK WASHER: (for M6 screw) ID:6 x OD:14.6 x 3.25mm THK.
	<b>1819033</b>	<b>10001257</b>	<b>FRAME HARDWARE (MOTOR)</b>
1	1808023		SOCKET HEAD CAP SCREW: M8X60, stainless steel
1	1807152		C'SUNK SOCKET SCREW, M5-0.8x12mm, stainless steel
1	1807121		C'SUNK SOCKET SCREW, M8-1.25x30mm, stainless steel
1	1807122		C'SUNK SOCKET SCREW, M8-1.25x65mm, stainless steel
	<b>1819034</b>	<b>10001258</b>	<b>CHAIN GUIDE KIT</b>
1	3399001		LOWER CHAIN GUIDE 34T
1	1807123		C'SUNK SOCKET SCREW, M8-1.25x25mm, stainless steel
1	1807124		C'SUNK SOCKET SCREW, M8-1.25x50mm, stainless steel
	<b>1819035</b>	<b>10001259</b>	<b>MOTOR CABLE CLAMP KIT DRIVE SIDE</b>
1	1997081		CABLE CLAMP, M5 CSUNK, AL6061-T6, HARD BLACK ANO.
1	180475-010		C'SUNK SOCKET SCREW, M5-0.8x10mm, zinc plated 10.9 steel
	<b>1809012</b>	<b>10001205</b>	<b>OFFSIDE WATER BOTTLE ADAPTER, USES MSX14MM BOLTS</b>
1	1809012		OFFSIDE WATER BOTTLE ADAPTER, USES MSX14MM BOLTS
	<b>1810025</b>	<b>10001447</b>	<b>POWERPLAY BATTERY NYLON SET SCREW KIT</b>
1	1810025		POWERPLAY BATTERY NYLON SET SCREW KIT

Altitude Aiu Powerplay MY19-21



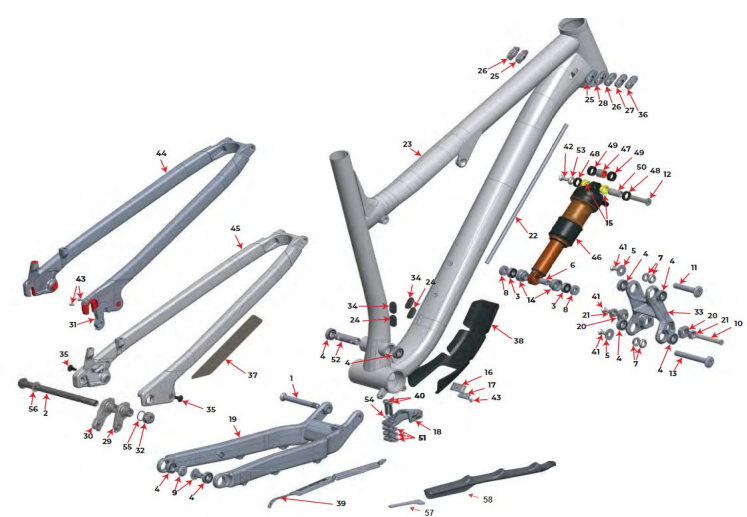
QTY	Rocky Artikelnr.	BA Artikelnr.	Beschreibung RM
	<b>1810004</b>	<b>10001206</b>	<b>ALTITUDE LINK WITH BEARING KIT</b>
1	1097182		ALTITUDE LINK, 85MM LONG, RIDE9, AL7075-T6, HARD BLACK ANO
4	1807042		ENDURO BEARING 6900 2RS MAX TYPE, 22X10X6 SIZE
	<b>1818012</b>	<b>10000895</b>	<b>HANGER KIT SHIMANO DIRECT MOUNT</b>
1	1099041		REAR DER. HANGER, EXT. THREAD, SHIMANO DIRECT MOUNT
1	1099033		HANGER NUT, M16X1, 8 MM HEX
1	1808029		WASHER, 16 X 20 X 0.5 MM, 304 SS
	<b>1818013</b>	<b>10000896</b>	<b>KIT STANDARD HANGER</b>
1	1099031		REAR DER. HANGER, EXT. THREAD, STD MOUNT
1	1099033		HANGER NUT, M16X1, 8 MM HEX
1	1808029		WASHER, 16 X 20 X 0.5 MM, 304 SS
	<b>1810005</b>	<b>10001207</b>	<b>PIVOT BOLT KIT</b>
1	1807029		MP ANGLE, M10X1.25, L: 84 MM, AL 7075-T6 HARD BLACK ANO
2	1807043		6900 BEARING CAP, AL 7075-T6, HARD BLACK ANO
4	1807044		6900 BEARING SPACER
2	111		BOLT, 10 X 15 MM, M10X1 EXT., AL 7075-T6 HARD BLACK ANO
1	1807049		CSUNIK BOLT, 8 X 57 MM X MS INT
1	1807060		BOLT, 10 X 54 MM, M6X1 INT., AL 7075-T6, HARD BLACK ANO
1	1807061		BOLT, 10 X 78 MM, M6X1 INT., AL 7075-T6, HARD BLACK ANO
3	180566-012		FLAT HEAD CSUNIK SOCKET SCREW, M6-1.0 X 12 MM, A4/316 SS, 55060.060.012
1	1807064		CSUNIK WASHER (for M6 screw) ID: 6 X OD: 14.6 X 3.25 MM THK.
1	180566FV-016		FLAT HEAD CSUNIK SOCKET SCREW, M5-1.0 X 16 MM, A4/316 STAINLESS STEEL
1	1807063		SHOCK BOLT, SOLID, OD: 6 MM, L: 41 MM
1	1807038		MAIN PIVOT CENTER SPACER, ID: 10 MM, L: 48 MM
	<b>1819028</b>	<b>10001253</b>	<b>POWERPLAY PROTECTION KIT</b>
1	3708008		SEATSTAY PROTECTOR
1	3708035		MULTIBIKE CHAINSTAY PROTECTOR
	<b>1817011b48</b>	<b>10000677</b>	<b>AXLE KIT</b>
1	3227009		REAR AXLE 12 X 173 MM, HARD BLACK ANO
1	60		WASHER, 12 X 19 X 0.5 MM, 304 SS
	<b>1818003</b>	<b>10001465</b>	<b>SHOCK BEARING EYELET KIT</b>
2	1807036		ENDURO 698 LLU MAX 19 X 8 X 6
1	8		BEARING EYELET SLEEVE FOR SR 19 X 8 X 6 CUP
2	10		EYELET BEARING SPACER, 5.3 MM THK. FOR 40 MM LINK WIDTH
2	1807026		BEARING EYELET FOR SR 19 X 8 X 6 BNG
	<b>1817017</b>	<b>10001229</b>	<b>PIVOT BEARING KIT</b>
8	1807042		ENDURO BEARING 6900 2RS MAX TYPE, 22X10X6 SIZE
	<b>1810009</b>	<b>10001209</b>	<b>RISE 9 FLIP CHIP KIT</b>
2	1807003		FLIP CHIP, OUTSIDE, AL7075, BLACK ANODIZE.
2	1807004		FLIP CHIP, INSIDE, AL7075, BLACK ANODIZE.
	<b>1808063</b>	<b>10000742</b>	<b>Side cover kit, right</b>
1	1807017		POWERPLAY MOTOR COVER, RIGHT
1	1808152		CSUNIK SOCKET SCREW, M5-0.8x10MM, BLACK STAINLESS STEEL
2	1808137		CSUNIK SOCKET SCREW, M5-0.8x22MM, BLACK STAINLESS STEEL
	<b>1808063</b>	<b>10000743</b>	<b>Side cover kit, left</b>
1	1807019		POWERPLAY MOTOR COVER, LEFT
1	1808152		CSUNIK SOCKET SCREW, M5-0.8x10MM, BLACK STAINLESS STEEL
2	1808137		CSUNIK SOCKET SCREW, M5-0.8x22MM, BLACK STAINLESS STEEL
	<b>1807083</b>	<b>10001645</b>	<b>Bash Guard Kit</b>
1	4		RMB BASH GUARD
2	1807125		CUSTOM HEX SOC. HD. SHLD. SCR., 303 SS, M5 6x8
	<b>1818009</b>	<b>10001234</b>	<b>Side Cover bolt kit</b>
2	1808152		CSUNIK SOCKET SCREW, M5-0.8x10MM, BLACK STAINLESS STEEL
4	1808137		CSUNIK SOCKET SCREW, M5-0.8x22MM, BLACK STAINLESS STEEL
	<b>1818030</b>	<b>10001254</b>	<b>GROMMET KIT FOR ALLOY POWERPLAY</b>
2	1809001		RUBBER GROMMET FOR 2 CABLES, 5mm, 4mm YF-W13-2
2	1809005		RUBBER GROMMET FOR 1 CABLE 4mm YF-W13-4
1	1809007		RUBBER GROMMET FOR 2 CABLES, 5mm, 5mm YF-W13-8
	<b>1818030</b>	<b>10001255</b>	<b>Alloy seat stay Cup Kit for alloy frames only</b>
2	1808034		PLASTIC PLUG FOR MS THREAD, 12MM BUTTON HEAD, BLACK PLASTIC
	<b>1819031</b>	<b>10001255</b>	<b>POWERPLAY RUBBER BUMPER KIT</b>
1	1999008		POWERPLAY RUBBER BUMPER
2	1809013		WASHER, 5 X 10 X 1MM, STAINLESS STEEL
2	180574-014		DOME HEAD SCREW, MSX14MM, SS
	<b>1819032</b>	<b>10001256</b>	<b>FRAME HARDWARE (BATTERY)</b>
1	1807127		E-MTB BATTERY BOLT, 8MM X 81MM, AL7075-T6 HARD BLACK ANO
1	180566-012		FLAT HEAD CSUNIK SOCKET SCREW, M6-1.0 X 12mm, A4/316 SS, 55060.060.012
1	1810025		POWERPLAY BATTERY NYLON SET SCREW KIT
1	1807064		CSUNIK WASHER (for M6 screw) ID: 6 X OD: 14.6 X 3.25mm THK.
	<b>1819033</b>	<b>10001257</b>	<b>FRAME HARDWARE (MOTOR)</b>
1	1808023		SOCKET HEAD CAP SCREW, M8X60, stainless steel
1	1807152		CSUNIK SOCKET SCREW, M5-0.8x12mm, stainless steel
1	1807121		CSUNIK SOCKET SCREW, M8-1.25x30mm, stainless steel
1	1807122		CSUNIK SOCKET SCREW, M8-1.25x65mm, stainless steel
	<b>1819034</b>	<b>10001258</b>	<b>CHAIN GUIDE KIT</b>
1	3399001		LOWER CHAIN GUIDE 34T
1	1807123		CSUNIK SOCKET SCREW, M8-1.25x25mm, stainless steel
1	1807124		CSUNIK SOCKET SCREW, M8-1.25x50mm, stainless steel
	<b>1819035</b>	<b>10001259</b>	<b>MOTOR CABLE CLAMP KIT DRIVE SIDE</b>
1	1997081		CABLE CLAMP, MS CSUNIK, AL6061-T6, HARD BLACK ANO.
1	180075-010		CSUNIK SOCKET SCREW, M5-0.8x10mm, zinc plated 10-9 steel
	<b>1809012</b>	<b>10001205</b>	<b>OFFSIDE WATER BOTTLE ADAPTER, USES MSX14MM BOLTS</b>
1	1809012		OFFSIDE WATER BOTTLE ADAPTER, USES MSX14MM BOLTS
	<b>1810025</b>	<b>10001447</b>	<b>POWERPLAY BATTERY NYLON SET SCREW KIT</b>
1	1810025		POWERPLAY BATTERY NYLON SET SCREW KIT



Vertex MY18+

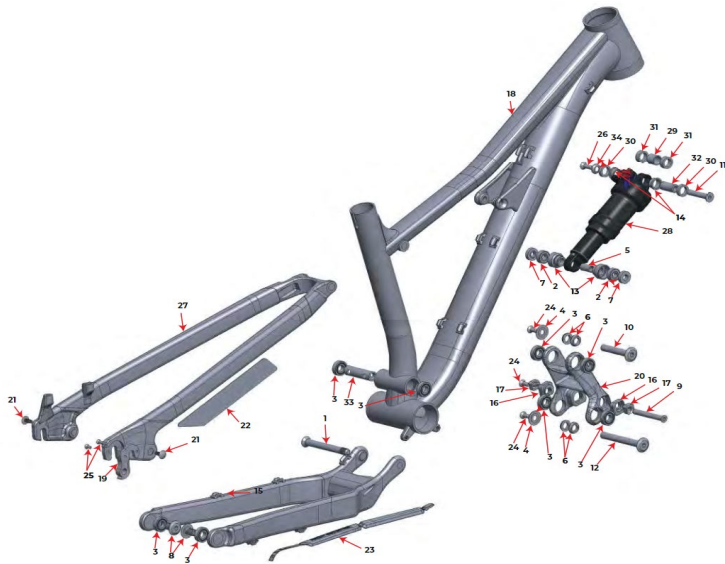
QTY	Rocky Artikelnr.	BA Artikelnr.	Beschreibung BM	
1	5	3708017	10001287	VERTEX CR CS PROTECTOR
<b>VERTEX D12 PANEL KIT</b>				
4	13	1806013	C'SUNK SOCKET SCREW, M4x16mm, AL6061-T6, HARD BLACK ANO	
1	12	1097023	SHIM, D12 PORT SLYR. COVER PLATE, PLASTIC	
1	4	1095059	CABLE 3-HOLE THROUGH PLUG, RUBBER	
<b>VERTEX FRONT DERAILLEUR KIT</b>				
1	2	1096055	CABLE PORT PLASTIC COVER, FD EXIT PORT, FOR OVAL SLOT	
1	3	1808025	FD CABLE GUIDE, BOLT-ON	
1	13	1806013	C'SUNK SOCKET SCREW, M4x16mm, AL6061-T6, HARD BLACK ANO	
<b>HANGER KIT SHIMANO DIRECT MOUNT</b>				
1	8	1099041	REAR DER. HANGER, EXT THREAD, SHIMANO DIRECT MOUNT	
1	9	1099033	HANGER NUT, M16X1, 8MM HEX	
1	15	1808029	WASHER, 16x20x0.5MM, 304 SS	
<b>KIT STANDARD HANGER</b>				
1	7	1099031	REAR DER. HANGER, EXT THREAD, STD MOUNT	
1	9	1099033	HANGER NUT, M16X1, 8MM HEX	
1	15	1808029	WASHER, 16x20x0.5MM, 304 SS	
<b>AXLE KIT BOOST</b>				
1	1	3227009	REAR AXLE 12X173MM, HARD BLACK ANO	
1	16	3227006	WASHER, 12x19x0.5MM, 304 SS	
<b>HEAD TUBE PANEL KIT</b>				
1	10	1097136	HT PORT PANEL, LEFT	
1	11	1097140	HT PORT PANEL, RIGHT	
2	14	1806009	FLAT HEAD C'SUNK SOCKET SCREW, M5-0.8 X 16mm, ALUMINIUM	





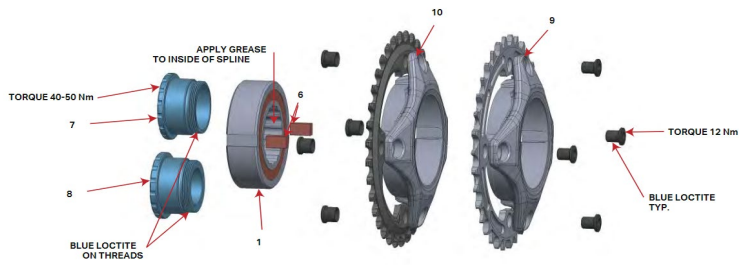
Reaper 27.5 MY19+

QTY	#	Rocky Artikelnr.	BA Artikelnr.	Beschreibung RM
<b>AXLE KIT BOOST</b>				
1	2	3227009		REAR AXLE 12X 173MM, HARD BLACK ANO
1	56	3227006		WASHER, 12x19x0.5MM, 304 SS
<b>TBOLT LINK WITH BEARING KIT</b>				
1	33	1098056		THUNDERBOLT LINK, 85MM LONG, RIDE9, AL7075-T6, HARD BLACK ANO
4	4	1807042		ENDURO 6900 ZRS MAX, 22x10X6
<b>HANGER KIT SHIMANO DIRECT MOUNT</b>				
1	30	1099041		REAR DER. HANGER, EXT THREAD, SHIMANO DIRECT MOUNT
1	32	1099033		HANGER NUT, M16X1, 8MM HEX
1	55	1808029		WASHER, 16x20x0.5MM, 304 SS
<b>KIT STANDARD HANGER</b>				
1	29	1099031		REAR DER. HANGER, EXT THREAD, STD MOUNT
1	32	1099033		HANGER NUT, M16X1, 8MM HEX
1	55	1808029		WASHER, 16x20x0.5MM, 304 SS
<b>PIVOT BOLT KIT</b>				
1	1	1807029		MP AXLE, M10X1.25, L84mm, AL7075-T6 HARD BLACK ANO
2	3	1807049		6900 BEARING CAP, AL 7075-T6, HARD BLACK ANO
4	7	1807044		FOOD BEARING SPACER
2	9	1807046		BOLT, 10MM X 15MM, M10X1 EXT., AL 7075-T6 HARD BLACK ANO
1	10	1807049		CSUNK BOLT, 8MM X 57MM X M6 INT.
1	11	1807060		BOLT, 10MM X 54MM, M6X1 INT., AL 7075-T6, HARD BLACK ANO
1	13	1807061		BOLT, 10MM X 78MM, M6X1 INT., AL 7075-T6, HARD BLACK ANO
3	41	180566-012		FLAT HEAD CSUNK SOCKET SCREW, M6-1.0 X 12mm, A4/316 SS, S5060.060.012
1	53	1807064		C'SUNK WASHER, (for M6 screw) ID:6 x OD:14.6 x 3.25mm THK.
1	42	180566-016		FLAT HEAD C'SUNK SOCKET SCREW, M6-1.0 X 16mm, A4/316 STAINLESS STEEL
1	12	1807062		SHOCK BOLT, SOLID, OD:8MM L:41MM
1	52	1807038		MAIN PIVOT CENTER SPACER, ID:10, L:48
<b>BEARING KIT</b>				
8	4	1807042		ENDURO 6900 ZRS MAX, 22x10X6
<b>BIKE PROTECTION KIT A</b>				
1	37	3708008		SEATSTAY PROTECTOR
1	38	3708022		MULTI BIKE DOWNTUBE PROTECTOR
1	39	3708025		MULTI BIKE CHAINSTAY PROTECTOR
<b>SHOCK BEARING EYELET KIT</b>				
2	3	1807036		ENDURO 698 LLU MAX 19X8X6
1	6	1807028		BEARING EYELET SLEEVE FOR SR 19X8X6 CUP
2	8	1807059		EYELET BEARING SPACER, 5.9MM THK, FOR 40MM LINK WIDTH
2	14	1807026		BEARING EYELET FOR SR 19X8X6 BRG
<b>RIDE 9 FLIP CHIP KIT</b>				
2	20	1807003		FLIP CHIP, OUTSIDE, AL7075, BLACK ANODIZE
2	21	1807004		FLIP CHIP, INSIDE, AL7075, BLACK ANODIZE
<b>SPIRIT GUIDE KIT</b>				
1	48	3398001		CHAIN GUIDE
2	40	1807132		M6-1.0, 25MM LONG, SOCKET HEAD
1	54	1807133		CHAIN GUIDE WASHER
3	51	3398002		CHAIN GUIDE SPACER
<b>GROMMET KIT FOR ALLOY FRAME</b>				
2	25	1809004		RUBBER GROMMET FOR 2 CABLES, 5mm, 4mm YF-W13-2
2	26	1809005		RUBBER GROMMET FOR 1 CABLE 4mm YF-W13-4
1	27	1809006		RUBBER GROMMET FOR 1 CABLE 5mm YF-W13-5
1	28	1809007		RUBBER GROMMET FOR 2 CABLES, 5mm, 5mm YF-W13-8
1	36	1809008		RUBBER PLUG YF-W13-7
2	34	1807077		34.9MM SEAT TUBE PLUG
2	24	1807078		34.9MM SEAT TUBE DROPPER GROMMET
<b>Alloy seat stay Cap Kit for alloy frames only</b>				
2	35	1808034		PLASTIC PLUG FOR M5 THREAD, 12MM BUTTON HEAD, BLACK PLASTIC
<b>DOWNTUBE CABLE CLAMP KIT</b>				
1	16	1807066		CABLE PORT, 2-PIECE, BOTTOM HALF
1	17	1807067		CABLE PORT, 2-PIECE, TOP HALF
1	43	1807068		C'SUNK SOCKET SCREW, M4x8mm, zinc plated 10.9 steel
<b>2018 ALT / THUNDERBOLT CS PROTECTOR RETRO-FIT CN/AL</b>				
1	57	3700070		CHAINSTAY PROTECTOR DIE CUT TAIL SHORT
1	58	370005A		RETROFIT CHAINSTAY PROTECTOR

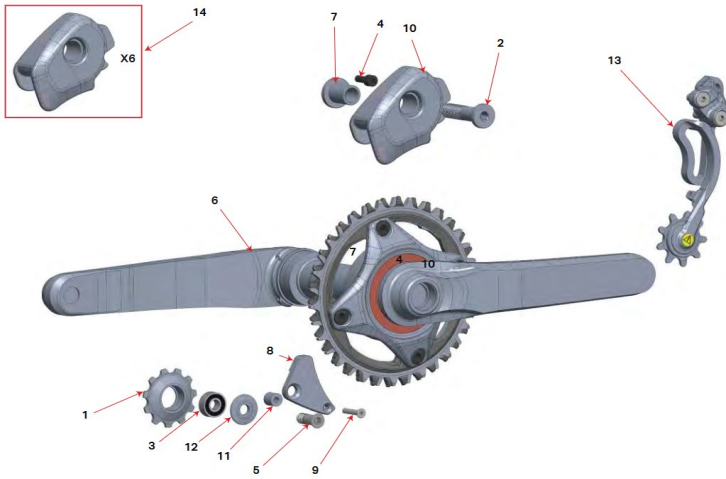


Reaper 24/26 MY13+

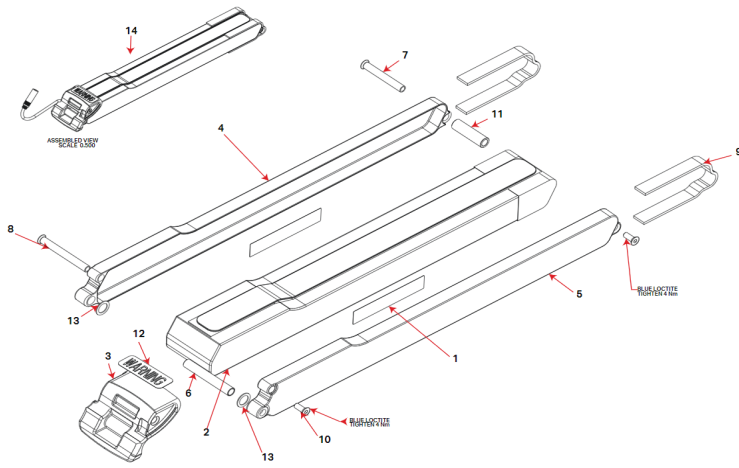
QTY	Rocky Artikehr.	BA Artikehr.	Beschreibung RM
	<b>1819012</b>	<b>10001239</b>	<b>TBOLT LINK WITH BEARING KIT</b>
1	1098056		THUNDERBOLT LINK, 85MM LONG, RIDE9, AL7075-T6, HARD BLACK ANO
4	1807042		ENDURO 6900 2RS MAX, 22X10X6
	<b>1819013</b>	<b>10001240</b>	<b>KIT QR HANGER</b>
1	1099006		DERAILLEUR HANGER, QR AXLE, 2-BOLT, IZF # YD013-050
2	1807068		C'SUNK SOCKET SCREW, M4x8mm, zinc plated 10-9 steel
	<b>1810005</b>	<b>10001207</b>	<b>PIVOT BOLT KIT</b>
1	1807029		MP AXLE, M10X1.25, L:84mm, AL7075-T6 HARD BLACK ANO
2	1807043		6900 BEARING CAP, AL 7075 T-6, HARD BLACK ANO
4	1807044		6900 BEARING SPACER
2	1807046		BOLT, 10MM X 15MM, M10X1 EXT., AL 7075 T-6 HARD BLACK ANO
1	1807049		CSUNK BOLT, 8MM X 57MM X M6 INT.
1	1807060		BOLT, 10MM X 54MM, M6X1 INT., AL 7075-T6, HARD BLACK ANO
1	1807061		BOLT, 10MM X 78MM, M6X1 INT., AL 7075 T-6, HARD BLACK ANO
3	180566-012		FLAT HEAD C'SUNK SOCKET SCREW, M6-1.0 X 12mm, A4/316 SS, 53060,060,012
1	1807064		C'SUNK WASHER, (for MG screw) ID:6 x OD:14.6 x 3.25mm THK
1	180566-016		FLAT HEAD C'SUNK SOCKET SCREW, M6-1.0 X 16mm, A4/316 STAINLESS STEEL
1	1807062		SHOCK BOLT, SOLID, OD:8MM, L:41MM
1	1807038		MAIN PIVOT CENTER SPACER, ID:10, L:48
	<b>1817017</b>	<b>10001229</b>	<b>BEARING KIT</b>
8	1807042		ENDURO 6900 2RS MAX, 22X10X6
	<b>1819029</b>	<b>10001253</b>	<b>PROTECTION KIT</b>
1	3708008		SEATSTAY PROTECTOR
1	3708035		MULTIBIKE CHAINSTAY PROTECTOR
	<b>1818003</b>	<b>10001465</b>	<b>SHOCK BEARING EYELET KIT</b>
2	1807036		ENDURO 698 LLU MAX 19X8X6
1	1807028		BEARING EYELET SLEEVE FOR SR 19X8X6 CUP
2	1807099		EYELET BEARING SPACER, 5.3MM THK, FOR 40MM LINK WIDTH
2	1807026		BEARING EYELET FOR SR 19X8X6 BRG
	<b>1810009</b>	<b>10001209</b>	<b>RIDE 9 FLIP CHIP KIT</b>
2	1807003		FLIP CHIP, OUTSIDE, AL7075, BLACK ANODIZE
2	1807004		FLIP CHIP, INSIDE, AL7075, BLACK ANODIZE
	<b>1818006</b>	<b>10001089</b>	<b>Allow seat stay Cap kit for alloy frames only</b>
2	1808034		PLASTIC PLUG FOR MS THREAD, 12MM BUTTON HEAD, BLACK PLASTIC



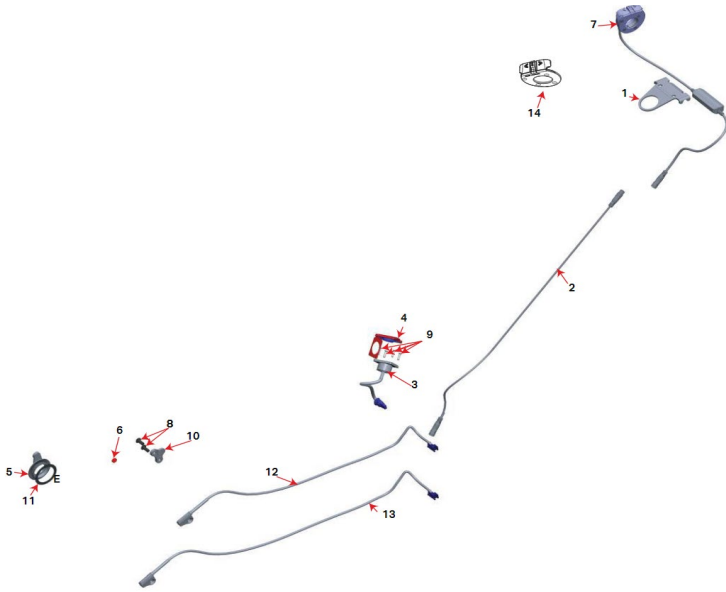
QTY	Rocky Art#elc#r	BA Art#elc#r	Beschreibung RM
	1998021	10000744	SPIDER ASSY
1	1347005		BW01-170082-00 CLUTCH BEARING 40MM 2BS
1	1407027		CUSTOM SPIDER 104MM *USE WITH 8.5MM CHAINRING BOLTS & 6.4MM CHAINRING NUTS
2	1807075		CLUTCH BEARING KEY 8MMX65MM
	1810013	10001212	SPIDER ASSY (SRAM)
1	1347005		BW01-170082-00 CLUTCH BEARING 40MM 2BS
1	1407027		CUSTOM SPIDER 104MM *USE WITH SRAM CHAINRING BOLTS & 4MM CHAINRING NUTS
2	1807075		CLUTCH BEARING KEY 8MMX65MM
	1347006	10000747	LOCKRING CLUTCH 30mm
1	1347006		LOCKRING CLUTCH 30mm
	1347010	10000748	LOCKRING CLUTCH 24mm
1	1347010		LOCKRING CLUTCH 24mm



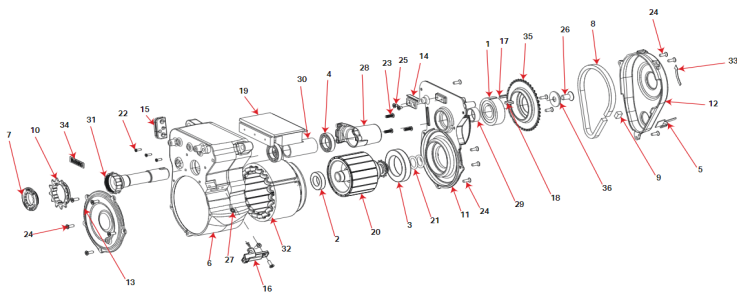
QTY	#	Rocky ArtikeInr.	BA ArtikeInr.	Beschreibung RM
		<b>1810010</b>	<b>10001183</b>	<b>SLIDER KIT</b>
1	2	1457014		MID DRIVE PULLEY AXLE, M11X1mm 40mm, AL7075-T6 HARD BLACK ANO
1	4	1808136		SOCKET HEAD CAP SCREW, MSX12
1	7	1999013		Z019 powerplay mid slider post
1	10	1999003		MID DRIVE SLIDER
		<b>1999010</b>	<b>10000922</b>	<b>LOWER CHAIN GUIDE KIT</b>
1	5	1807126		BOLT M8 X 18MM CUSTOM, 6061 HARD BLACK ANO.
1	8	3399003		LOWER CHAIN GUIDE OUTER PLATE
1	9	1809011		C'SUNK SOCKET SCREW, M4x20mm, STAINLESS STEEL 316
1	11	3399006		LOWER CHAIN GUIDE SPACER
1	12	1347013		CHAINSTAY PULLEY GUIDE SPACER
1	1	1347012		11T cog, for 19mm bearing
1	3	1807036		ENDURO 698 LLU 19X8X6
		<b>1999056</b>	<b>10001275</b>	<b>TORQUE ARM ASSEMBLY - DYNAMIE 3</b>
1	13	1999056		TORQUE ARM ASSEMBLY - DYNAMIE 3
		<b>1998024</b>	<b>10001647</b>	<b>LOWER CHAIN GUIDE 34T</b>
1	1	1347012		11T cog, for 19mm bearing
1	3	1807036		ENDURO 698 LLU 19X8X6
1	12	1347013		CHAINSTAY PULLEY GUIDE SPACER
		<b>1810029</b>	<b>x</b>	<b>SLIDER KIT DEALER VALUE PACK</b>
6	14	1999003		MID DRIVE SLIDER



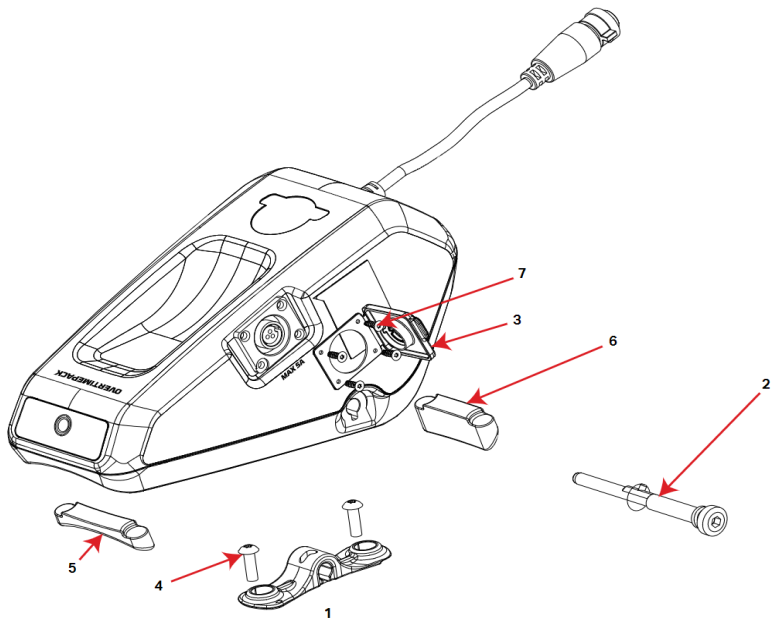
QTY	#	Rocky Artikelnr.	BA Artikelnr.	Beschreibung RM
		<b>1818016</b>	<b>10001238</b>	<b>KIT HARDWARE BATTERY POWERPLAY</b>
2	1	1807159		ADHESIVE BOTH SIDE TAPE 3/4"
1	3	1997063		BATTERY CAP
1	4	1997060		BATTERY COVER, LEFT
1	5	1997061		BATTERY COVER, RIGHT
1	6	1997062		BATTERY PIN, 68mm, 6061-T6, hard black anodize
1	7	1807139		SLEEVE BOLT, M8 X 58mm ALLOY 7075-T6
1	8	1807141		SLEEVE BOLT, M8 X 72mm ALLOY 7075-T6
2	9	1808044		BATTERY NOISE CANCELING FOAM
2	10	1807120		FLAT HEAD C/SUNK SOCKET SCREW, M6-1.0 X 16mm, A4/316 SS WITH BLUE LOCTITE
1	11	1997064		BATTERY SLEEVE SPACER, 44MM, 6061-T6, HARD BLACK ANODIZE
1	12	1708020		BATTERY MANIPULATION WARNING STICKER
2	13	1808054		NYLON WASHER
		<b>1979008</b>	<b>10001200</b>	<b>BATTERY 48V-67ZWH</b>
1	14	1979008		BATTERIE 48V-67ZWH E-MTB BATTERY ASSEMBLY



QTY	#	Rocky Artkelnr.	BA Artkelnr.	Beschreibung RM
1	7	1970011	10000923	IWOC TRIO RMT+ (NEW GENERATION)
1	1	1970011		IWOC TRIO RMT+ (NEW GENERATION)
1	1	1998015	x	CONTROLLER NODE HOLDER BRACKET
1	1	1998015		POWERPLAY STEERER TUBE BRACKET
1	2	1977012	10000728	DOWN TUBE EXTENSION CABLE
1	2	1977012		DOWN TUBE EXTENSION CABLE
1	12	1977007	10000936	SPEED SENSOR WITH CLAMP
1	12	1977007		SPEED SENSOR WITH CLAMP
1	13	1979005	10001267	SPEED SENSOR WITH CLAMP GROWLER
1	13	1979005		SPEED SENSOR WITH CLAMP GROWLER
1	3	1810011	10001210	CHARGE PORT KIT
1	3	1977005		CHARGE PORT
1	4	1997079		CHARGE PORT RUBBER CAP, BLACK RUBBER
4	9	1807117		C'SUNK SOCKET SCREW, M3-0.5x12mm TORX, stainless steel w/blue loctite
1	5	1810012	10001211	SPEED SENSOR HOLDER ASSY CENTERLOCK
1	5	1349007		CENTERLOCK ROTOR SPEED SENSOR LOCKRING
1	11	1349008		LOCKRING SHIM
1	6	1997068		SPEED SENSOR MAGNET
2	8	1998022	10000745	SPEED SENSOR HOLDER ASSY
1	10	1808028		DOME HEAD SCREW, MSX12MM, GRADE 10-9 STEEL, BLACK OXIDE, TORX
1	10	1997069		SPEED SENSOR MAGNET HOLDER
1	6	1997068		SPEED SENSOR MAGNET
1	14	1978036	10001546	IWOC TRIO COVER BLACK
1	14	1978036		IWOC TRIO COVER BLACK COVER FOR 1978011MOT PLASTIC COVER



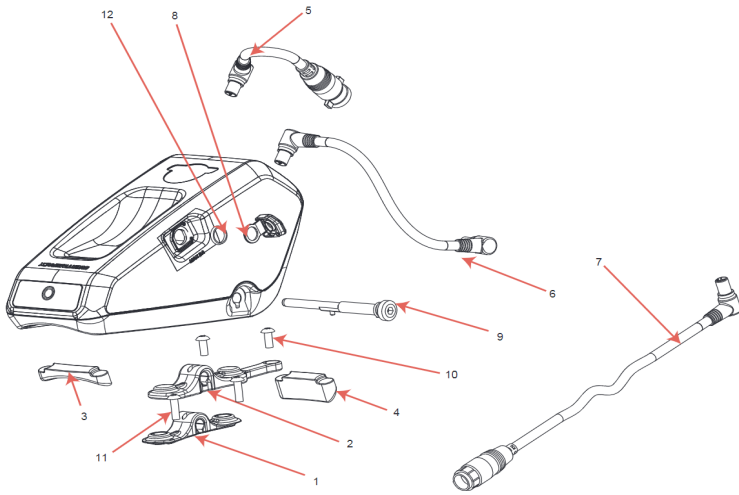
QTY	Rocky Artikelnr.	BA Artikelnr.	Beschreibung BM
	<b>39908PPUPGRADE</b>	<b>10001288</b>	<b>PP CLUTCH BEARING HEAVY DUTY KIT</b>
1	1347004		CLUTCH BEARING CSK20PP STIEBER
1	1396007		MAILLE PATENTE SUBARI
1	1807074		K57 3MM X 3MM
1	1347007		TRANSFER SPROCKET 42T
1	180718MMR		C'SLUNK SOCKET SCREW, M8-1.25x16mm, TORX, stainless steel 10.9 w/blue loctite
		<b>10001213</b>	<b>OUTPUT COG ASSY</b>
1	1340008		SUNRACE CASSETTE LOCKRING, 39 SOD - BLACK
1	1347016		TRANSFER DRIVEN COG, 12T
		<b>10001290</b>	<b>HALL EFFECT SENSOR KIT PPLY MTB</b>
1	1977061PR		HALL EFFECT SENSOR KIT PPLY MTB
		<b>10000724</b>	<b>TRANSFER CHAIN KIT</b>
1	1396006		TRANSFER CHAIN, #25, 51 LINKS
1	1396007		SUBARI CHAIN #25 QUICK LINK
2	1803146		O-RING ASSG8A DASH



QTY	#	Rocky Artikelnr.	BA Artikelnr.	Beschreibung RM
		<b>1811022</b>	<b>10001555</b>	<b>CAM ROD ASSY</b>
1	2	1801012		CAM ROD ASSY
		<b>1811019</b>	<b>10001556</b>	<b>ATTACH MOUNT KIT</b>
1	1	1991005		ATTACH MOUNT PLATE
2	4	1801017		DOME HEAD SCREW, M5X16MM, BLACK OXIDE TORX
		<b>1811020</b>	<b>10001557</b>	<b>RUBBER PAD KIT</b>
1	5	1991003		FRONT RUBBER PAD
1	6	1991004		REAR RUBBER PAD
		<b>1811021</b>	<b>10001558</b>	<b>CHARGE PORT PANEL KIT</b>
1	3	1997079		CHARGE PORT RUBBER CAP, BLACK RUBBER
4	7	1801021		SCREW PHILIPPS S5 BLACK FINISH M3- 8MM LG

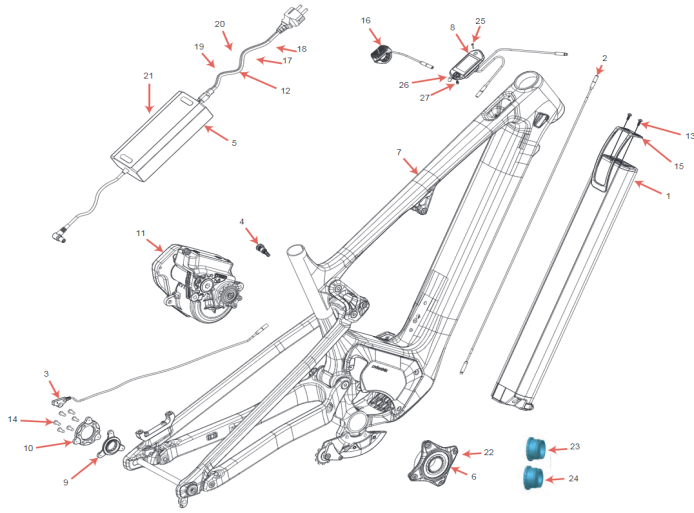
Overtimepack 330WH



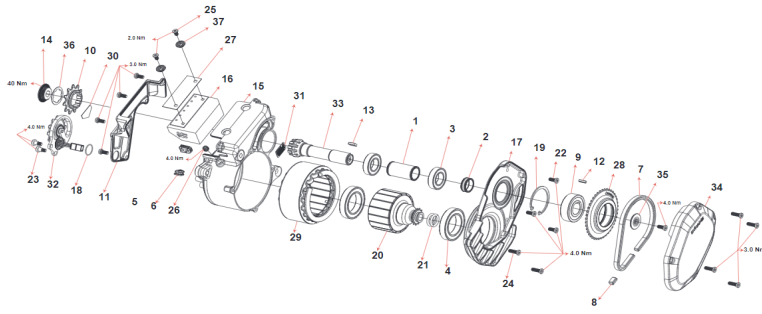


Overtimepack 314WH

QTY	Rocky Artikelnr.	BA Artikelnr.	Beschreibung RM
	<b>1811022</b>	<b>10001555</b>	<b>CAM ROD ASSY</b>
1	1801012		CAM ROD ASSY
	<b>1812027</b>	<b>10001687</b>	<b>ATTACH MOUNT KIT DYNAME 4</b>
1	1992047		ATTACH MOUNT PLATE DYNAME 4
2	1802035		DOME HEAD SCREW, MSX12MM, GRADE 10.9 STEEL, BLACK OXIDE TORX WITHOUT BLUE NYLON
	<b>1811019</b>	<b>10001556</b>	<b>ATTACH MOUNT KIT DYNAME 3</b>
1	1991005		ATTACH MOUNT PLATE DYNAME 3
2	1801017		DOME HEAD SCREW, MSX16MM, BLACK OXIDE TORX
	<b>1811020</b>	<b>10001557</b>	<b>RUBBER PAD KIT</b>
1	1991003		FRONT RUBBER PAD
1	1991004		REAR RUBBER PAD
	<b>1812028</b>	<b>10001688</b>	<b>CHARGE PORT PANEL KIT OTP DYNAME 4</b>
1	1992045		CHARGE PORT DOOR
1	1802033		TAPER SPACER
	<b>1812029</b>	<b>10001689</b>	<b>DONGLE CABLE OTP DYNAME 4</b>
1	1972013		DONGLE CABLE OTP DYNAME 4
	<b>1812030</b>	<b>10001690</b>	<b>DONGLE CABLE OTP DYNAME 3</b>
1	1972012		DONGLE CABLE OTP DYNAME 3
	<b>1812031</b>	<b>10001691</b>	<b>DONGLE RECHARGE CABLE OTP DYNAME 3</b>
1	1972018		DONGLE RECHARGE CABLE OTP DYNAME 3
	<b>1812032</b>	<b>10001692</b>	<b>CONVERSION KIT DYNAME 3</b>
1	1991005		ATTACH MOUNT PLATE DYNAME 3
2	1801017		DOME HEAD SCREW, MSX16MM, BLACK OXIDE TORX
1	1972012		DONGLE CABLE OTP DYNAME 3
1	1972018		DONGLE RECHARGE CABLE OTP DYNAME 3



QTY	Rocky Art#	BA Art#	Rocky Beschreibung
	<b>1812019</b>		<b>BATTERY ASSEMBLY DYNAM4 4 722WH</b>
1	1972002		BATTERY 21700 722WH
2	1802032		SCREW PAN M4 X 6MM STAINLESS STEEL (FINISH ED BLACK)
4	1992039		BATTERY LEAF SPRING
	<b>1812020</b>		<b>DOWN TUBE CABLE KIT</b>
1	1972005		DOWN TUBE CABLE
	<b>1812021</b>		<b>JUMBOTRON DISPLAY ASSEMBLY DYNAM4 4</b>
1	1992004		JUMBOTRON DISPLAY DYNAM4 4
	<b>1812022</b>		<b>MICRO REMOTE CONTROL ASSEMBLY DYNAM4 4</b>
1	1992005		MICRO REMOTE CONTROL DYNAM4 4
	<b>1812023</b>		<b>CHARGE PORT CABLE KIT DYNAM4 4</b>
1	1992025		CHARGE PORT CABLE ASSEMBLY - DYNAM4 4
	<b>1812024</b>		<b>SPEED SENSOR KIT DYNAM4 4</b>
1	1972006		SPEED SENSOR DYNAM4 4
	<b>1812025</b>		<b>SPEED SENSOR MAGNET ASSEMBLY 6 BOLTS DYNAM4 4</b>
1	1992022		MAGNET ASSY WITH 6 SCREW
6	1808028		DOME HEAD SCREW, M5X12MM, GRADE 10.9 STEEL, BLACK OXIDE, TORX
	<b>1812026</b>		<b>SPEED SENSOR MAGNET ASSEMBLY CENTER LOCK DYNAM4 4</b>
1	1992021		MAGNET ASSY WITH LOCKRING (CENTER LOCK ROTOR)
	<b>1972032</b>		<b>DYNAM4 4 MOTOR ASSEMBLY KIT</b>
1	1972032		DYNAM4 4 MOTOR ASSEMBLY
	<b>1972003</b>		<b>CHARGER 4AMPS KIT</b>
1	1972003		CHARGER 48VLT/4AMPS WITH CONNECTOR 90° *** POWERCORD NOT INCLUDED
	<b>1972009</b>		<b>CHARGER 2AMPS KIT</b>
1	1972009		CHARGER 48VLT/2AMPS WITH CONNECTOR 90° *** POWERCORD NOT INCLUDED
	<b>1970017</b>		<b>POWER CORD KIT DYNAM4 4 EU/SWITZERLAND/CHILE</b>
1	1970017		POWERCORD PPLY 2.0 48VLT5 - 2AMPS EUROPE/SWISS/CHILE
	<b>1998021</b>		<b>SPIDER ASSY</b>
1	1347005		BW01-170082-00 CLUTCH BEARING 40MM 2RS
1	1407027		CUSTOM SPIDER 104MM *USE WITH 5MM CHAINRING BOLTS & 6.4MM CHAINRING NUTS
2	1807075		CLUTCH BEARING KEY 8MMX5MM
	<b>1810013</b>		<b>SPIDER ASSY (SRAM)</b>
1	1347005		BW01-170082-00 CLUTCH BEARING 40MM 2RS
1	1409027		CUSTOM SPIDER 104MM *USE WITH 5MM CHAINRING BOLTS & 4MM CHAINRING NUTS
1	1807075		CLUTCH BEARING KEY 8MMX5MM
	<b>1347006</b>		<b>LOCKRING CLUTCH 30mm KIT</b>
1	1347006		LOCKRING CLUTCH 30mm
	<b>1347010</b>		<b>LOCKRING CLUTCH 24mm KIT</b>
1	1347010		LOCKRING CLUTCH 24mm
	<b>1812014</b>		<b>DEALER KIT DYNAM4 4 GLOBAL</b>
1	1870001		Both RSC 15.5 x 2.7 x 4.8 ECT 30C R-1/11
1	1972005		DOWN TUBE CABLE
1	1972006		SPEED SENSOR CABLE WITH HOLDER
1	1972009		POWERPLAY 2.0 CHARGER -48V 2A
1	1972014		CABLE Y DIAGNOSTIC KIT (BATTERY CHARGER-HMI)
1	1972015		HMI FIRMWARE UPDATE CABLE
1	1972016		DRIVE FIRMWARE UPDATE CABLE
1	1972017		BATTERY FIRMWARE UPDATE CABLE
1	1992004		JUMBOTRON DISPLAY
1	1992005		REMOTE CONTROL
1	1992024		ASI BAC 555 TTL-CAN MOTOR CONTROLLER - DYNAM4 4
1	1992025		CHARGE PORT CABLE ASSEMBLY - DYNAM4 4
1	1992040		TORQUE SENSOR ASSEMBLY - DYNAM4 4
1	3702025		PLASTIFIED EXPLICATIVE SHEET 3 LANGUAGES PP2
1	3099063		KIT 16 ETIQUETTES A JUSQU'A 10
1	3999003		PLASTIC BOX SECTION FOR DIAGNOSTIC KIT
1	3999008		PULLER FOR CB PP 2018
	<b>1812033</b>		<b>JUMBOTRON HARDWARE KIT</b>
1	1802034		SOCKET HEAD CAP SCREW M3.0 X 10MM SS TORX
1	1809011		C'SUNK SOCKET SCREW, M4x20mm, STAINLESS STEEL 316
1	1972019		CLIP SPRING HMI



QTY	Rocky Artikelnr.	BA Artikelnr.	Beschreibung RM
	<b>1812015</b>	<b>10001663</b>	<b>PP CLUTCH BEARING ASSEMBLY DYNAM 4</b>
1	9	1349004	CLUTCH BEARING, CSK 20PP, STIEBER GERMANY
1	12	1802024	KEY, 2MM X 2MM
1	19	1802029	INTERNAL RETAINING RING, STANDARD, FOR 47 ID, STAINLESS STEEL
1	28	1342001	SPROCKET, 42T, CHAIN #25 - DYNAM 4
	<b>1812016</b>	<b>10001664</b>	<b>OUTPUT COG ASSEMBLY DYNAM 4</b>
1	10	1342004	MOTOR OUTPUT COG, 11T - DYNAM 4
1	14	1802015	M22X1.00 LOCKRING, MOTOR - DYNAM 4
1	36	1802027	LOCKRING WASHER, STAINLESS STEEL - DYNAM 4
	<b>1812017</b>	<b>10001665</b>	<b>TORQUE SENSOR ASSEMBLY DYNAM 4</b>
1	18	1802026	OIL RESISTANT BUNA-N O-RING, 70A DURO, 17MM ID, 19MM OD
2	23	1802024	LOW-PROFILE SHOULDER SCREW, D6, D0 X L6, D0, M5 X 0.8, STAINLESS, ED BLACK
1	32	1992040	TORQUE SENSOR ASSEMBLY - DYNAM 4
	<b>1997022PR</b>	<b>10000724</b>	<b>TRANSFER CHAIN KIT</b>
1	7	1396006	TRANSFER CHAIN, #25, 51 LINKS
1	8	1396007	TSUBAKI CHAIN #25 QUICK LINK
2	21	1805146	O-RING ASS68A DASH
	<b>10001697</b>		<b>MOTOR CONTROLLER KIT</b>
1	16	1992024	ASI BAC 555 TTL-CAN, MOTOR CONTROLLER - DYNAM 4
1	27	1992031	SILICON INSULATION PAD, ASI CONTROLLER - DYNAM 4