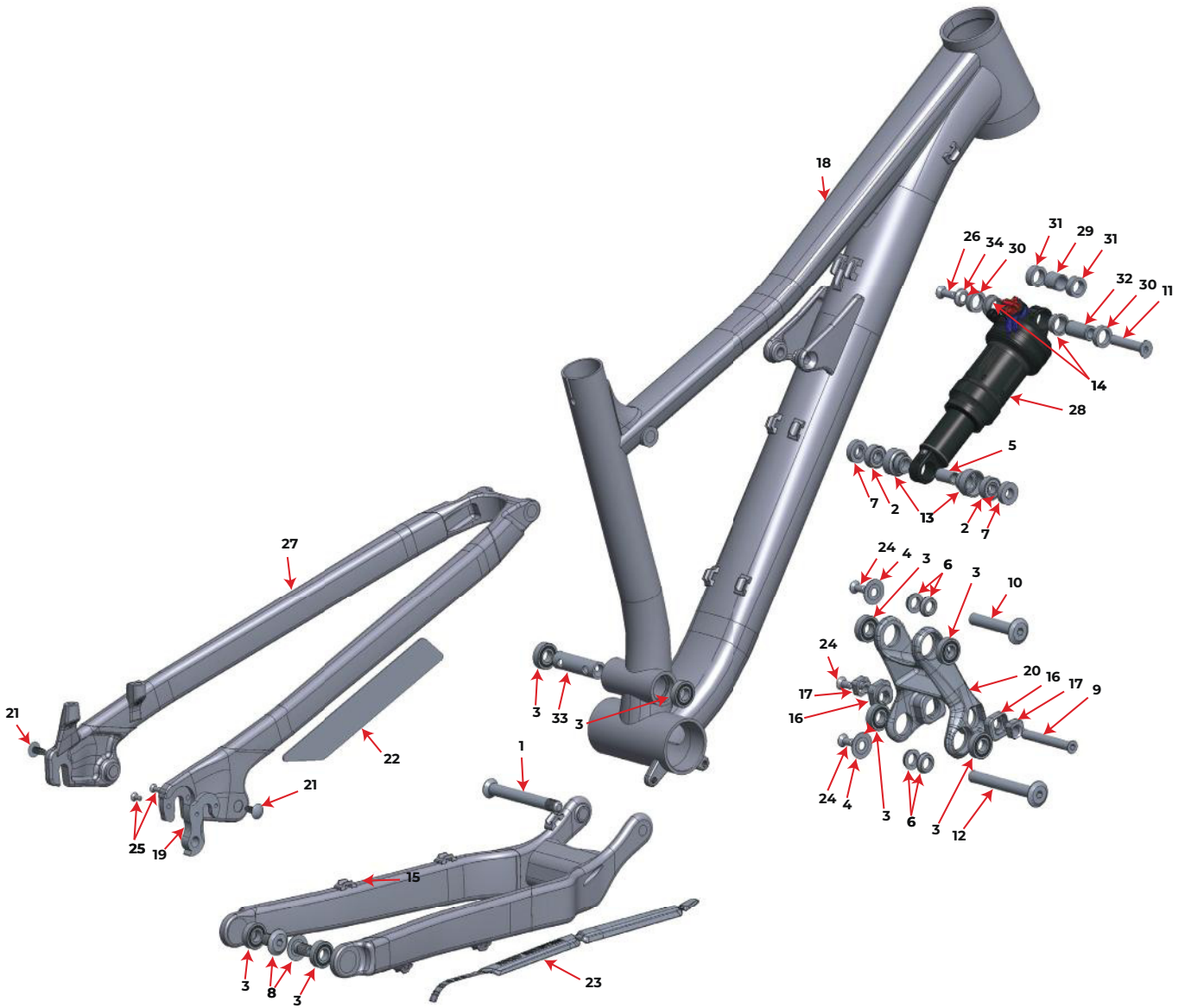


MY19 MY18 MY17

Reaper 24-26



Parts Kits and Price List are subject to change without notice.
A \$10 handling fee will be charged for order less than \$50.

0 2021_2020_2019_2018 Reaper 24 & 26

QTY PART NO. DESCRIPTION

1819012 TBOLT LINK WITH BEARING KIT

20 1 1098056 THUNDERBOLT LINK, 85MM LONG, RIDE9, AL7075-T6, HARD BLACK ANO
3 4 1807042 ENDURO 6900 2RS MAX, 22X10X6

1819013 KIT QR HANGER

19 1 1099006 DERAILLEUR HANGER, QR AXLE, 2-BOLT, JZF # YD013-050
25 2 1807068 C'SUNK SOCKET SCREW, M4x8mm, zinc plated 10.9 steel

1818012 HANGER KIT SHIMANO DIRECT MOUNT

1 1099041 REAR DER. HANGER, EXT THREAD, SHIMANO DIRECT MOUNT
1 1099033 HANGER NUT, M16X1, 8MM HEX
1 1808029 WASHER, 16x20x0.5MM, 304 SS

1817011 AXLE KIT BOOST

1 3227009 REAR AXLE 12X 173MM, HARD BLACK ANO
1 3227006 WASHER, 12x19x0.5MM, 304 SS

1810005 PIVOT BOLT KIT

1 1 1807029 MP AXLE, M10X1.25, L:84Mm, AL7075-T6 HARD BLACK ANO
4 2 1807043 6900 BEARING CAP, AL 7075 T-6, HARD BACK ANO
6 4 1807044 6900 BEARING SPACER
8 2 1807046 BOLT, 10MM X 15MM, M10X1 EXT., AL 7075 T-6 HARD BLACK ANO
9 1 1807049 CSUNK BOLT, 8MM X 57MM X M6 INT.
10 1 1807060 BOLT, 10MM X 54MM, M6X1 INT., AL 7075-T6, HARD BLACK ANO
12 1 1807061 BOLT, 10MM X 78MM, M6X1 INT., AL 7075 T-6, HARD BLACK ANO
24 3 180566-012 FLAT HEAD C'SUNK SOCKET SCREW, M6-1.0 X 12mm, A4/316 SS, 55060.060.012
34 1 1807064 C'SUNK WASHER: (for M6 screw) ID:6 x OD:14.6 x 3.25mm THK.
26 1 180566-016 FLAT HEAD C'SUNK SOCKET SCREW, M6-1.0 X 16mm, A4/316 STAINLESS STEEL
11 1 1807062 SHOCK BOLT, SOLID, OD:8MM, L: 41MM

33 1 1807038 MAIN PIVOT CENTER SPACER, ID:10, L:48

1817017	BEARING KIT
----------------	--------------------

3 8 1807042 ENDURO 6900 2RS MAX, 22X10X6

1819029	PROTECTION KIT
----------------	-----------------------

22 1 3708008 SEATSTAY PROTECTOR

23 1 3708035 MULTIBIKE CHAINSTAY PROTECTOR

1818003	SHOCK BEARING EYELET KIT
----------------	---------------------------------

2 2 1807036 ENDURO 698 LLU MAX 19X8X6

5 1 1807028 BEARING EYELET SLEEVE FOR SR 19X8X6 CUP

7 2 1807099 EYELET BEARING SPACER, 5.3MM THK, FOR 40MM LINK WIDTH

13 2 1807026 BEARING EYELET FOR SR 19X8X6 BRG

1810009	RIDE 9 FLIP CHIP KIT
----------------	-----------------------------

16 2 1807003 FLIP CHIP, OUTSIDE, AL7075, BLACK ANODIZE.

17 2 1807004 FLIP CHIP, INSIDE, AL7075, BLACK ANODIZE.

1818006	Alloy seat stay Cap Kit for alloy frames only
----------------	--

21 2 1808034 PLASTIC PLUG FOR M5 THREAD, 12MM BUTTON HEAD, BLACK PLASTIC

Sold as a kit only. Individual part not sold separately