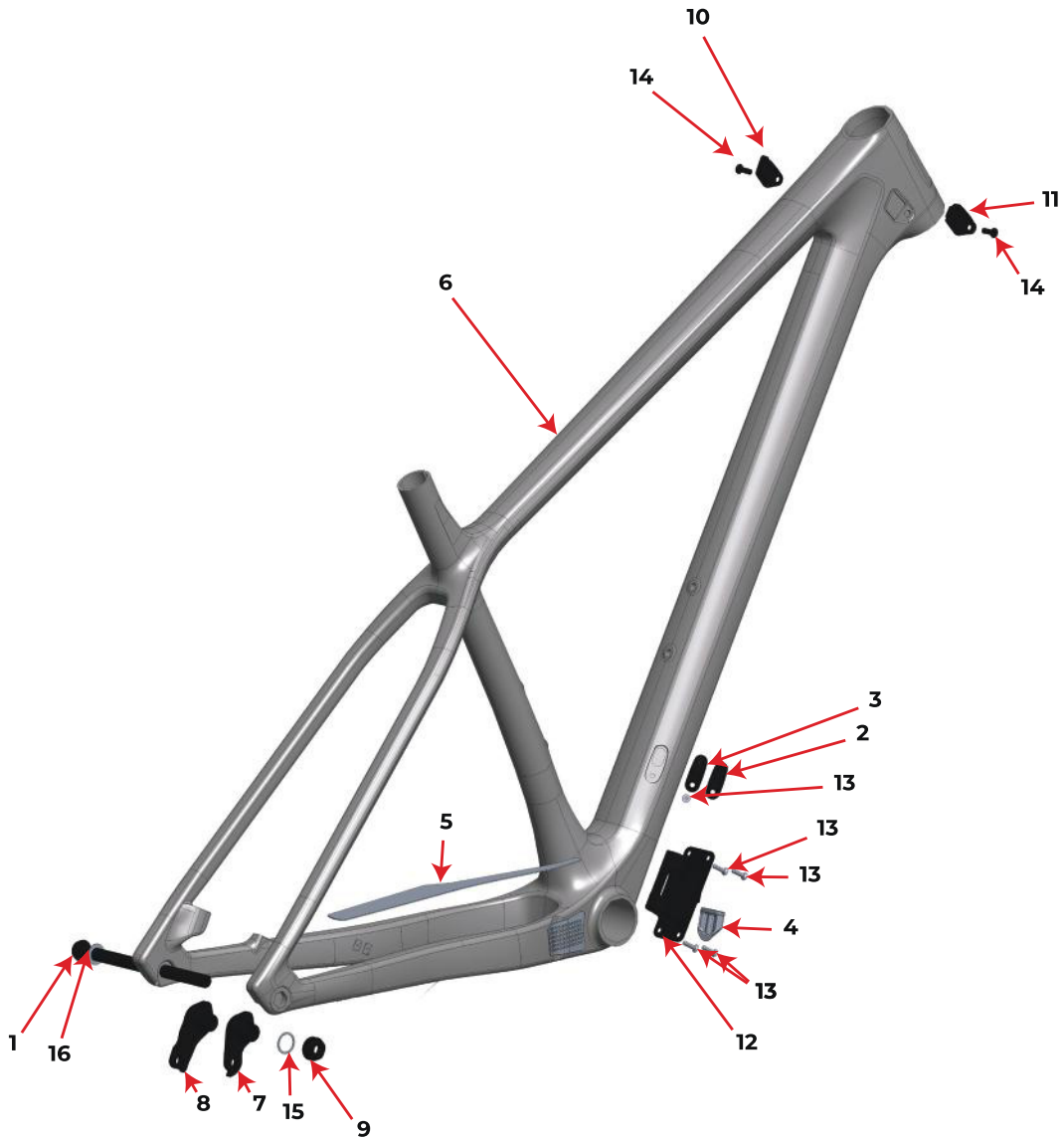


MY20 MY19 MY18

# Vertex



Parts Kits and Price List are subject to change without notice.  
A \$10 handling fee will be charged for order less than \$50.

2021\_2020\_2019\_2018 Vertex carbon

# QTY PART NO. DESCRIPTION

5 1 **3708017** VERTEX CR CS PROTECTOR

**1819022** VERTEX DI2 PANEL KIT

13 4 1806013 C'SUNK SOCKET SCREW, M4x16mm, AL6061-T6, HARD BLACK ANO

12 1 1097023 SHIM. DI2 PORT SLVR. COVER PLATE, PLASTIC

4 1 1095059 CABLE 3-HOLE THROUGH PLUG, RUBBER

**1819023** VERTEX FRONT DERAILLEUR KIT

2 1 1096055 CABLE PORT PLASTIC COVER, FD EXIT PORT, FOR OVAL SLOT

3 1 1808025 FD CABLE GUIDE, BOLT-ON

13 1 1806013 C'SUNK SOCKET SCREW, M4x16mm, AL6061-T6, HARD BLACK ANO

**1818012** HANGER KIT SHIMANO DIRECT MOUNT

8 1 1099041 REAR DER. HANGER, EXT THREAD, SHIMANO DIRECT MOUNT

9 1 1099033 HANGER NUT, M16X1, 8MM HEX

15 1 1808029 WASHER, 16x20x0.5MM, 304 SS

**1818013** KIT STANDARD HANGER

7 1 1099031 REAR DER. HANGER, EXT THREAD, STD MOUNT

9 1 1099033 HANGER NUT, M16X1, 8MM HEX

15 1 1808029 WASHER, 16x20x0.5MM, 304 SS

**1817011** AXLE KIT BOOST

1 1 3227009 REAR AXLE 12X 173MM, HARD BLACK ANO

16 1 3227006 WASHER, 12x19x0.5MM, 304 SS

**1817023** HEAD TUBE PANEL KIT

10 1 1097136 HT PORT PANEL, LEFT

11 1 1097140 HT PORT PANEL, RIGHT

14 2 1806009 FLAT HEAD C'SUNK SOCKET SCREW, M5-0.8 X 16mm, ALUMINIUM

Sold as a kit only. Individual part not sold separately